



Model: PLT-6S

Description: Parking Lift Platform

BendPak's PLT-6S parking lift was designed for both commercial and residential use and is the perfect car parking solution when ceiling clearances are limited and vehicle heights are restricted. Each PLT-6S parking lift features a 100% hot-dipped, galvanized steel platform, dual hydraulic lifting cylinders, and a high strength safety lock system.

Whether you plan on installing surface mount or free-standing car parking lifts inside or outside, you can rely on our expertise to provide you with the best automotive parking lifts that money can buy. Our experience in working with property owners, developers, designers, and contractors to provide car parking solutions enables us to develop innovative and cost effective systems to meet your vehicle storage needs.

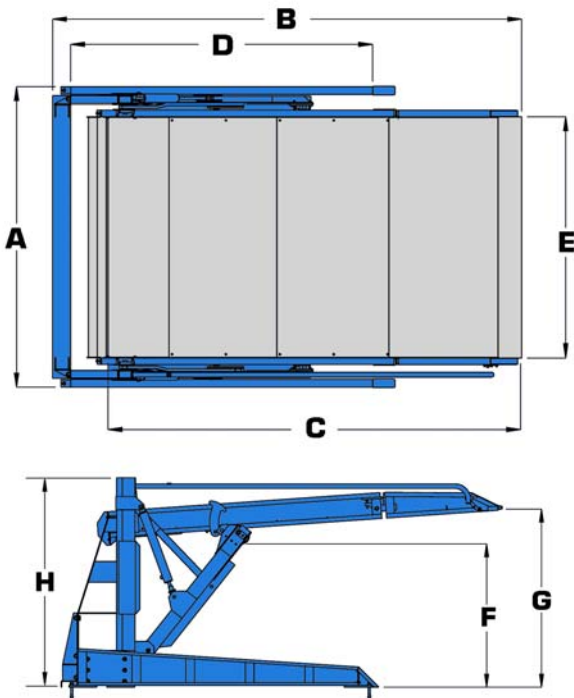
Features

- 6,000 pound lifting capacity
- Accommodates all cars and smaller SUVs
- 100% hot-dipped, galvanized steel platform
- Heavy steel locks automatically engage at full-rise
- Manually operated lock release
- Dual hydraulic lifting cylinders
- Cantilevered design with lateral torsion bar
- No chains or cables
- Individual, or single multi-unit power unit configurations
- For commercial or residential applications
- Manually operated lock release
- Hydraulic safety valves (velocity fuses)
- Available in 110V or commercial 220V power options

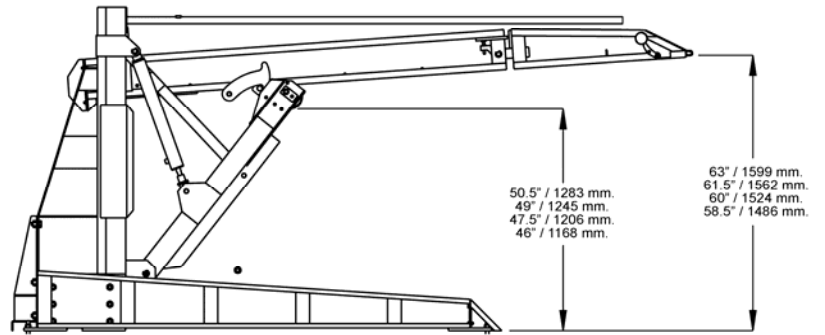
Typical Ceiling Heights

- Two Compact Cars 114" / 2896 mm.
- Two Full Size Cars 10'0" 120" / 3048 mm.
- One Full Size Car / One SUV 138" / 3505 mm.

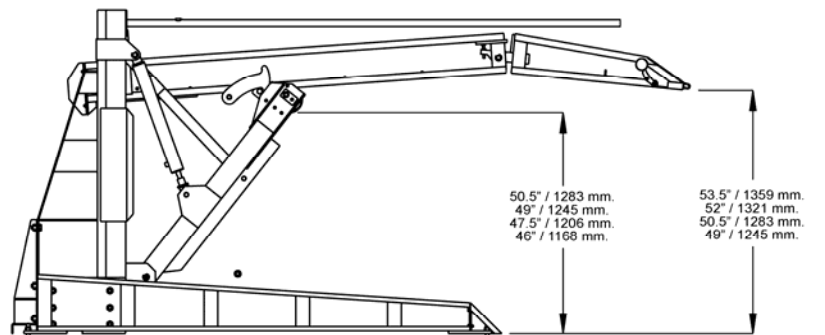




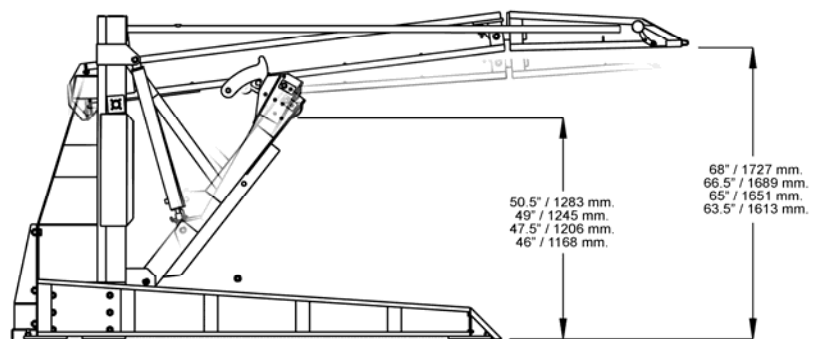
DECK STANDARD - REAR WHEEL SUPPORT SECTION ADJUSTED UP



DECK STANDARD - REAR WHEEL SUPPORT SECTION ADJUSTED DOWN



DECK TILTED



MODEL	PLT-6S
Lifting Capacity	6,000 lbs. / 2722 Kg.
A - Overall Width	98.3" / 2497 mm.
B - Overall Length	153.5" / 3899 mm.
C - Platform Length	134.9" / 3427 mm.
D - Leg Length	98.8" / 2509 mm.
E - Platform Width	79.1" / 2010 mm.
F - Platform Rise	SEE NEXT PAGE
G - Ramp Rise	SEE NEXT PAGE
H - Overall Height	74" / 1880 mm.
Speed of Rise	55 Seconds
Motor (*)	220 VAC / 60 Hz. 1Ph.

* Special Voltages Available Upon Request.

The design, material and specifications are subject to change without notice.