



**Model: PL-7000XR**

**Description: Freestanding Dual Column Parking Lift / Space Saver**

**Standard features**

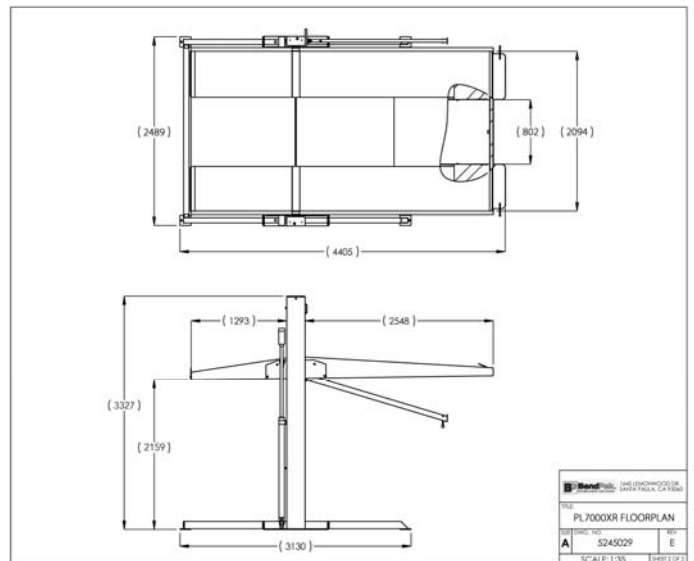
- Minimum footprint allows multiple installations in minimum space.
- Independent lifting structures allows for staggered or offset installation.
- Power-unit and controls integrated within lift structure
- Freestanding design reduces tax and permit liabilities in most counties.
- Overhead power unit provides smooth quiet hydraulic operation.
- Wide deck platform accommodates pickups, vans and cars.
- Designed for installation on typical parking surfaces.
- Durable construction for maximum stability.
- Full length center panels protects bottom vehicle.
- Dual hydraulic cylinders combined with heavy-duty lifting chain.
- Dual synchronization chains keep deck level at all times.
- Automatic safety lock.
- Maintenance free composite carriage bearings.
- Maintenance free self-lubricating chain rollers.
- Audible / visual alarm during descent. OPTIONAL
- Integrated key-activated power On/Off switch. OPTIONAL



MODEL	PL-7000XR
Lifting Capacity	7,000 Lbs. / 3175 Kg.
<b>A - Height Overall:</b>	131" / 3327 mm.
<b>B - Rise:</b>	85" / 2159 mm.
Overall Length	173-1/2" / 4405 mm.
Platform Length	157-1/2" / 4001 mm.
Overall Width	98" / 2489 mm.
Platform Width	82-1/2" / 2094 mm.
Speed of Rise	55 Seconds
Motor (*)	220 VAC / 60 Hz. 1Ph.

\* Special Voltages Available Upon Request.

The design, material and specifications are subject to change without notice.



**BendPak** 1445 LEMONWOOD DR. SANTA PAULA, CA 93060  
**PL7000XR FLOORPLAN**  
 PART NO. 5245029 REV. 8  
 SCALE: 1:36 84871171