

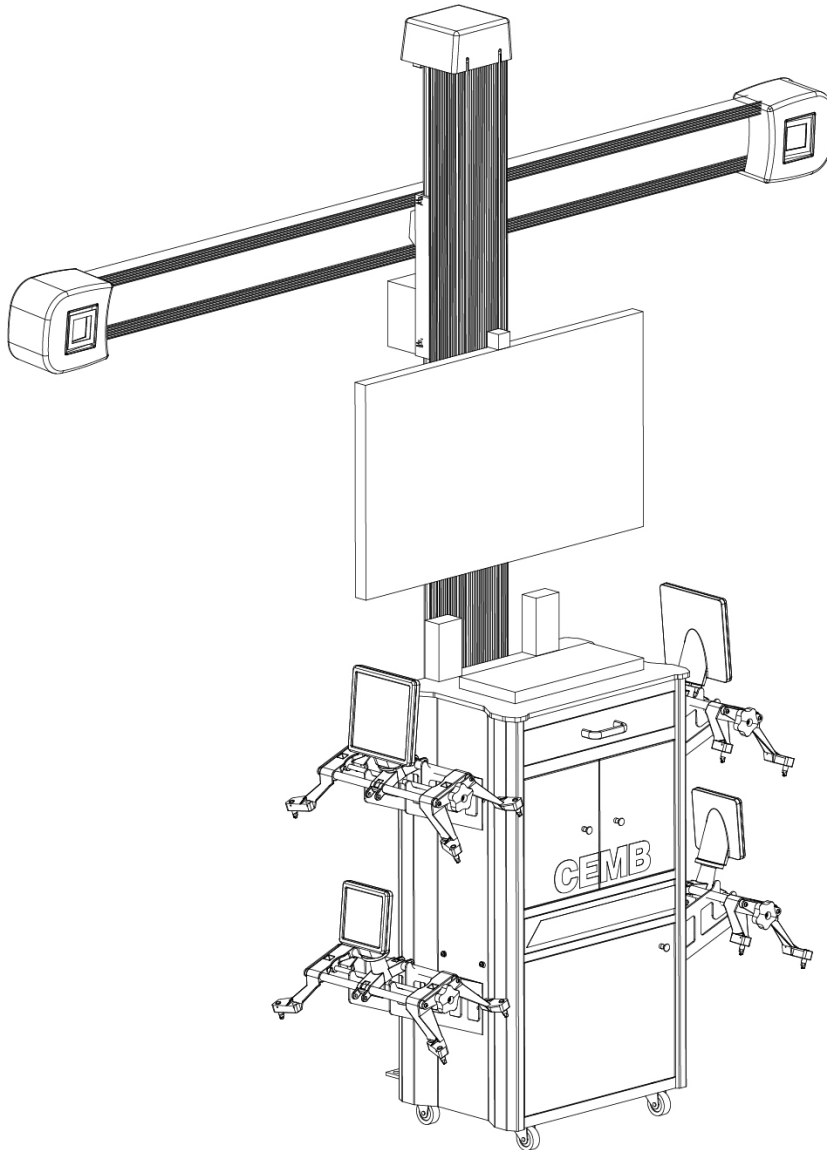


CEMB

BALANCING MACHINES

EN

Installation Manual



DWA3500

CEMB S.p.A.

Via Risorgimento, 9

23826 Mandello del Lario (LC) ITALY

Telefono: + 39 706369 Fax: + 39 0341 700725

www.cemb.com garage@cemb.com

The Manufacturer declines all liability for any damage to people or property caused by incorrect use of this product.
Subject to change without prior notice.



Istruzioni originali

Translation of the original instructions

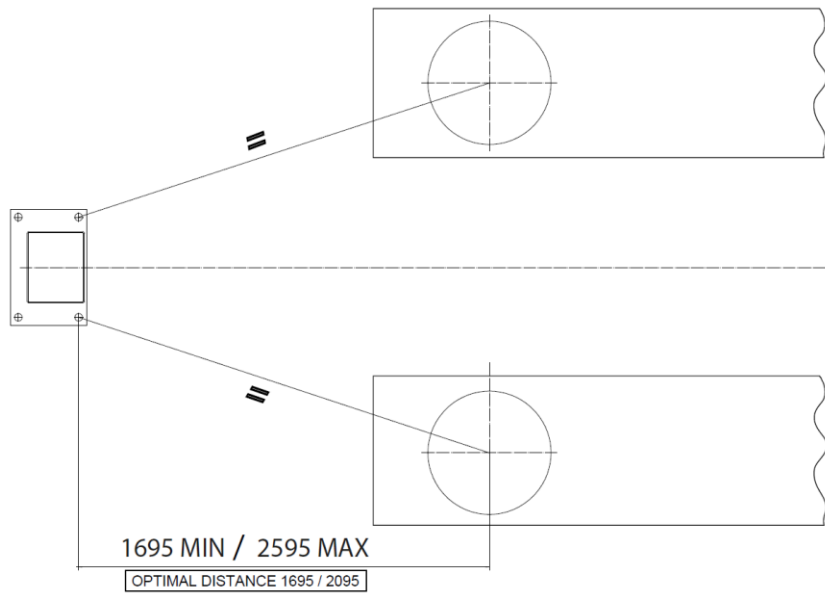
Traduction de la notice originale

Übersetzung der Originalanweisungen

Traducción de las instrucciones originales

Tradução das instruções originais

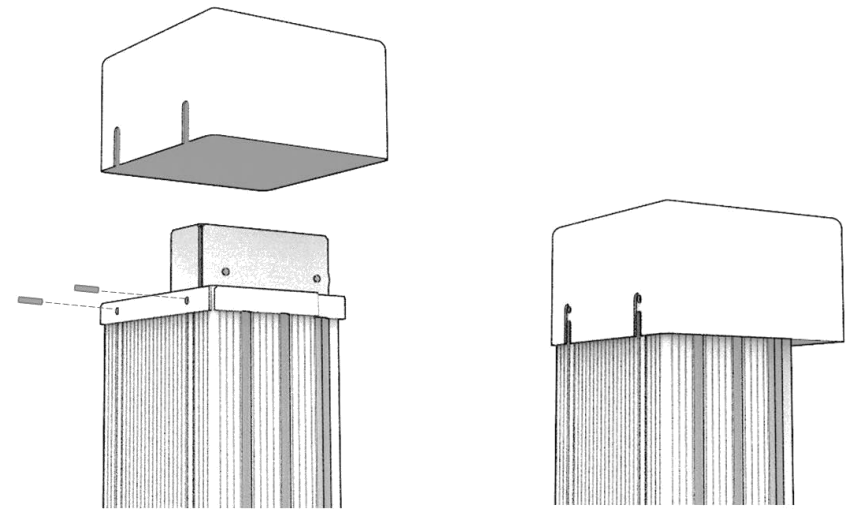
1



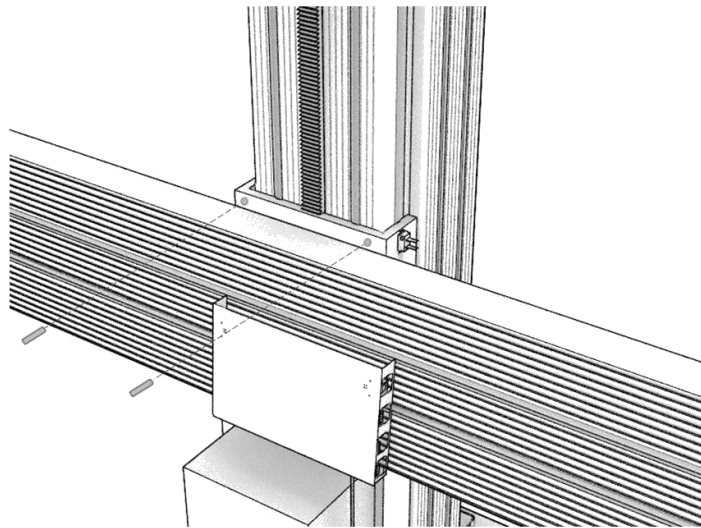
Position the vertical post, as indicated

Fix it to the floor with 4 bolts

2

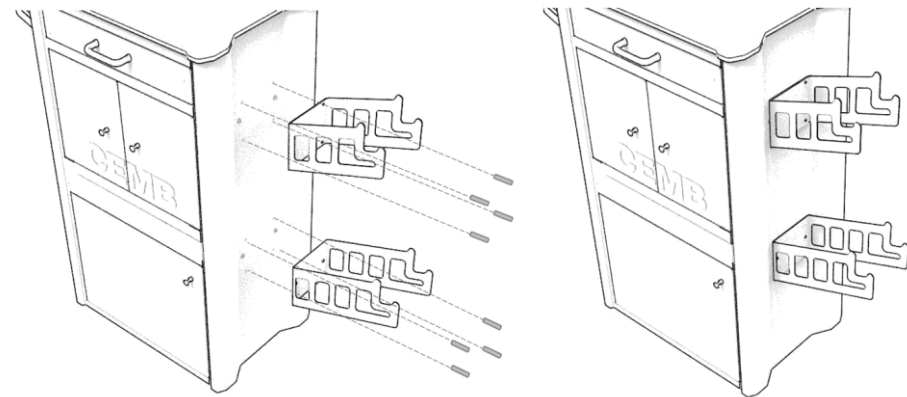


Fix the vertical post top plastic cover



Remove the screw from the post back
And fix the camera beam to the vertical post
(use a bubble level to fix it levelled)

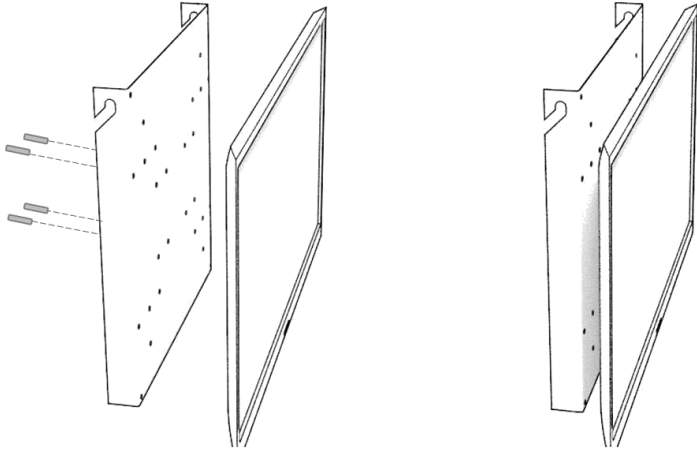
3



Remove the screws from the sides of the cabinet and mount the target holders
(the bigger ones in the lowest position, than the others in the upper one)

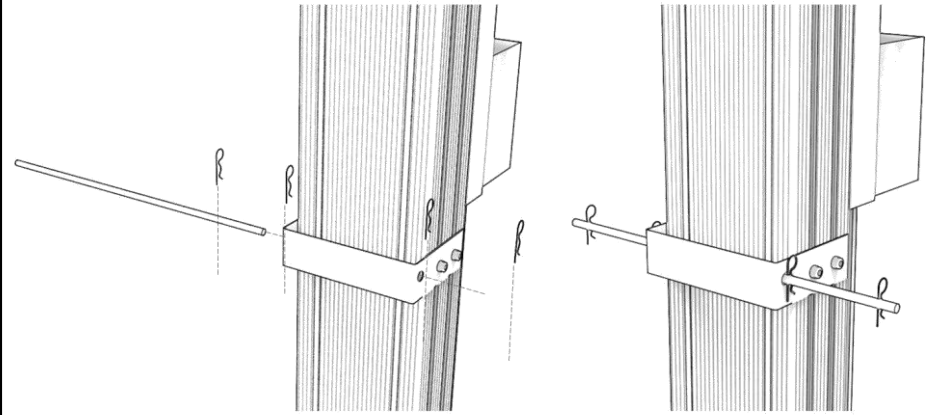
4

5

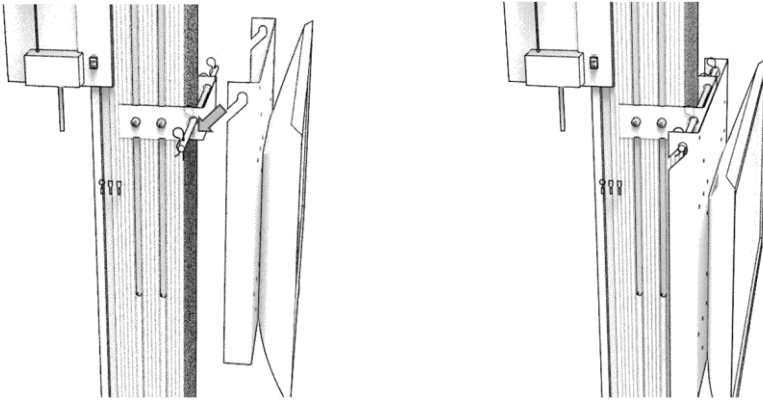


Mount the monitor support

6

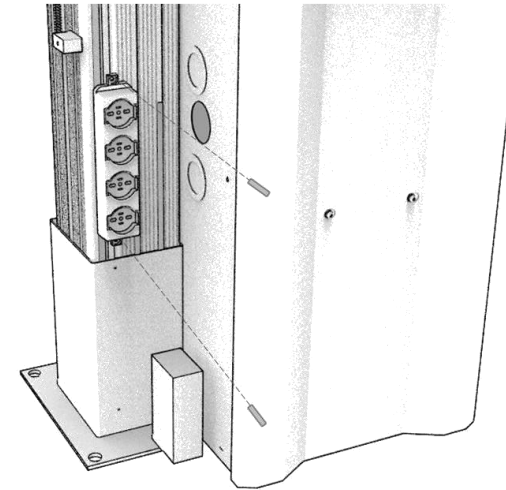


Mount the monitor bar support and the lockers



Hang the monitor

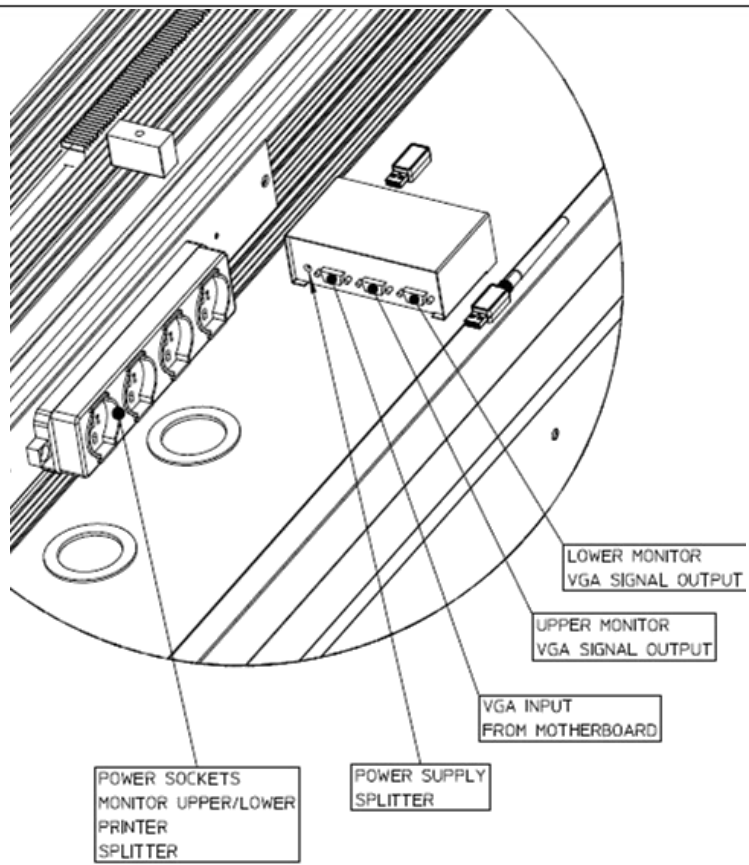
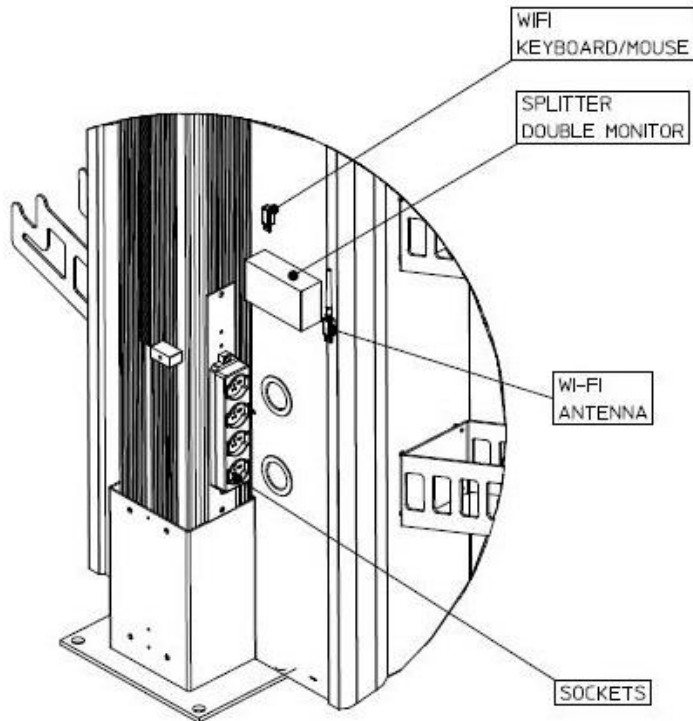
7



Fix the multiplug on the vertical post

8

DETAIL POSITIONS
WIFI ANTENNA, SPLITTER AND SOCKETS



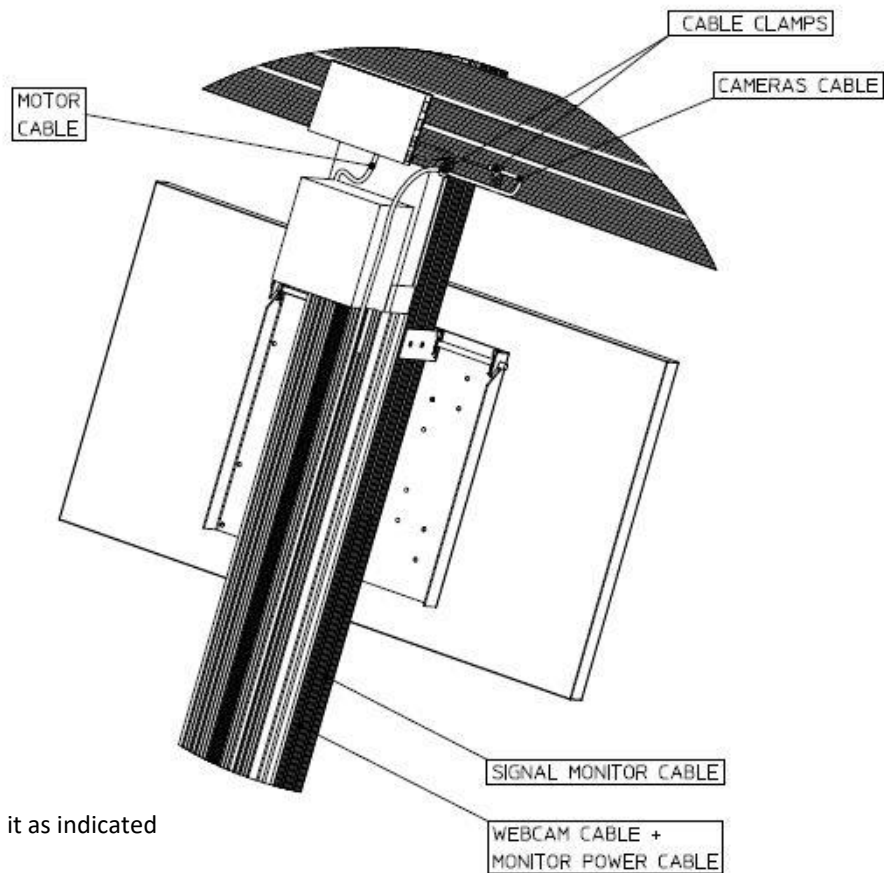
Plug the USB Wireless Touchpad Keyboard and the Wi-Fi antenna

Plug the power cable for the:
Monitor
(if present) Secondary monitor
(if present) Printer
(if present) Splitter

If present plug all the cables, as indicated, for the secondary monitor splitter

DETAILS ROUTE

- POWER AND SIGNAL CABLES MONITOR
- WEBCAM CABLE
- CAMERAS AND MOTOR CABLE

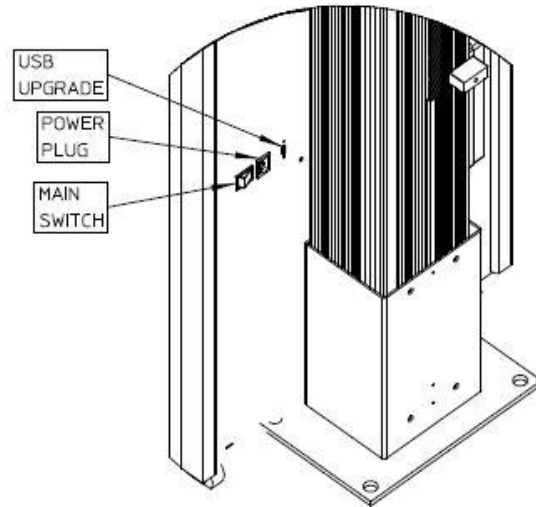


Plug the motor cable
Plug the interface cable cameras and clamp it as indicated

Fix with the related covers the:

- Monitor signal cable
- Monitor power cable
- Webcam USB cable

DETAIL POSITION:
POWER PLUG, MAIN SWITCH, USB UPGRADE



Plug the main power and You're now ready to switch the DWA3500 ON

Installation done