

ER75TD

spotter



VIDEO DIAGNOSTIC
WHEEL BALANCER
FOR TIRE DEALERS

PERFECT BALANCING
IN JUST ONE SPIN

ER75TD WHEEL BALANCER

is made especially for busy tire shops and tire dealers. This new series has the latest technology in wheel balancing: "Spotter" laser that actually pinpoints the exact location for the placement of stick-on wheel weights.



CEMB[®] USA

ER75TD

SPOTTER

- **STATIC UNBALANCE ALWAYS DISPLAYED ON SCREEN**
for full-time accuracy

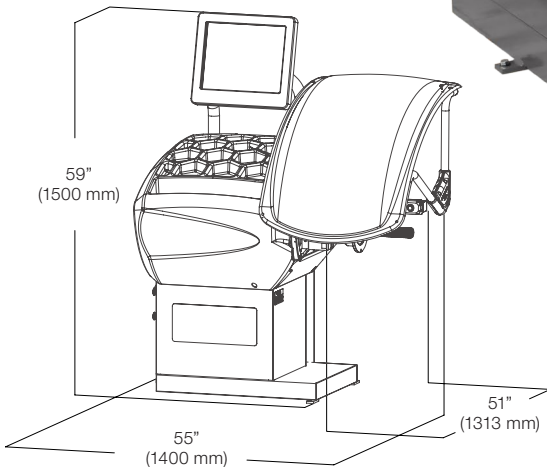
CEMB® PATENT

- **VDD Virtual Direct Drive**
Quick measurement system
- **NEW AUTOMATIC ARM**
to measure automatically diameters up to 30"
- **EMS RUNOUT SONAR:**
Automatic and quick radial runout measurement with sonar during normal balancing cycle
- **ELECTROMAGNETIC BRAKE**
holds the wheel in position
- **PNEUMATIC WHEEL LOCKING**
 - Floor to floor time reduction
 - Extremely easy and quick to use
 - Very accurate wheel centering

- **WIDTH SONAR 3D**
for automatic measurement of wheel width
- Designed especially for tire dealers
- Made in ITALY
- **LED**
to light the work space inside the rim



- **SPOTTER LASER SYSTEM**
Fully automatic spot-on laser for best and quickest correction possible (no manual operations)



Power requirements	110 VAC or 220 VAC, 50/60 Hz, 1 ph
Balancing speed	100 rpm
Measuring cycle for 15 kg (33 lbs) wheel	4.7 s
Unbalance resolution	< 0.01 oz (<1 g)
Rim width setting range	1.5" - 20" (40 - 510 mm)
Rim diameter setting range	10" - 30" (265 - 765 mm)
Max. tire diameter	42" (1,067 mm)
Max. wheel weight	165 lbs (75 Kg)
Shaft diameter	40 mm
Operating pressure	7 - 10 bar (105 - 145 psi)
Machine weight	400 lbs (180 Kg)

110 VAC or 220 VAC, 50/60 Hz, 1 ph
100 rpm
4.7 s
< 0.01 oz (<1 g)
1.5" - 20" (40 - 510 mm)
10" - 30" (265 - 765 mm)
42" (1,067 mm)
165 lbs (75 Kg)
40 mm
7 - 10 bar (105 - 145 psi)
400 lbs (180 Kg)

STANDARD ACCESSORIES

UC20/SE2 - 41FF52768



PNEUMATIC LOCKING



OPTIONAL ACCESSORIES

RL CUP - 41FF79255

SR-USA SE2 STUD ADAPT. - 41FF56193

SRU345 SE STUD ADAPT. - 41FFA5298

2-PIECE TRUCK CONE KIT - 41FF86174

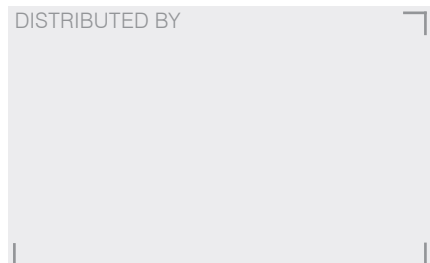
CERTIFICATE PRINTER - 860P63297

WBL81 WHEEL LIFT - 46FL85170-KIT

For a complete list of accessories and more information visit our website www.cemb-usa.com

CEMB® USA

CEMB® USA - BL Systems Inc.
2873 Ramsey Road, Gainesville GA 30501 - USA
Phone +1 (678) 717-1050 - sales@cemb-usa.com
www.cemb-usa.com



Because of continuing technological advancements, specifications, models and options are subject to change without notice.