

# **CR-3000**

# **Car Rotator**

**Capacity 3,000 lbs**

## **Installation Manual**



# INDEX

1. OWNER / USER RESPONSIBILITIES-----	PAGE 3
2. SAFETY PROCEDURES-----	PAGE 3
3. BASIC INFORMATION & FEATURES-----	PAGE 3
4. GENERAL INFORMATION-----	PAGE 4
5. ASSEMBLY INSTRUCTIONS-----	PAGE 5
6. EXPLODED VIEW-----	PAGE 8
7. PARTS LIST-----	PAGE 9
8. LIMITED WARRANTY-----	PAGE 10

## IMPORTANT INFORMATION

Any freight damage must be noted on the freight bill before signing and reported to the freight carrier with a freight claim established. Identify the components and check for shortages. If shortages are discovered, please contact the Distributor/ Sales Rep. in your area for service.

Make sure you have extra help or heavy duty lifting equipment when unloading and assembling the Car Rotator unit.

Please read the safety procedures and operating instructions in this manual before operating Rotator unit. Keep this manual near Car Rotator unit at all times. Make sure all operators read this manual.

**This is a Car Rotator unit installation/operation manual and no attempt is made or implied herein to instruct the user in specific methods particular to an individual application. Rather, the contents of this manual are intended as a basis for operation and maintenance of the Rotator unit as it stands alone or as it is intended and anticipated to be used in conjunction with other equipment.**

**Proper application of the equipment described herein is limited to the parameters detailed in the specifications and the uses set forth in the descriptive passages. Any other proposed application of this equipment should be documented and submitted in writing to the factory for examination. The user assumes full responsibility for any equipment damage, personal injury, or alteration of the equipment described in this manual or any subsequent damages.**

## **OWNER / USER RESPONSIBILITIES**

### **The Owner/ User:**

- Shall establish procedures to periodically maintain, inspect, and care for the Rotator unit in accordance with the manufactures recommended procedures to ensure its continued safe operations.
- Shall provide necessary lockout / rag outs of energy sources per ANSI Z244.1-1982 before beginning any lift repairs.
- Shall not modify the Rotator unit in any manner without prior written consent of the manufacturer.
- Shall insure that lift operators are instructed in the proper and safe use and operation of the Rotator unit using the manufacturer's instructions.

## **SAFETY PROCEDURES**

Total Rotator unit capacity is 3000lbs @ 1500lbs per end. Do not exceed maximum weight capacity.

Prior to working with Rotator unit, walk around and check for any objects that might interfere with the operation of unit such as: tools, air houses, shop equipment, etc.

These are generic instructions, please keep on mind there are different easy to hook up the same vehicle. Make sure to properly secure and balance vehicles center of gravity before

**NOTE:** There are no set rules when hooking up a vehicle – just make sure there is a strong enough mounting points.

## **BASIC INFORMATION & FEATURES**

The Car rotator is a restoration rotator that is designed to make restoring any vehicle a simple and easy task. The Rotator use heavy duty ram jacks at each end with a slow release mechanism for safe load lowering and also incorporates an extra long power stroke with hydraulic by pass valves preventing the cylinders from over traveling

The Car Rotator will also lower down to most bumper heights allowing capability to lift the body of the vehicle to any height.

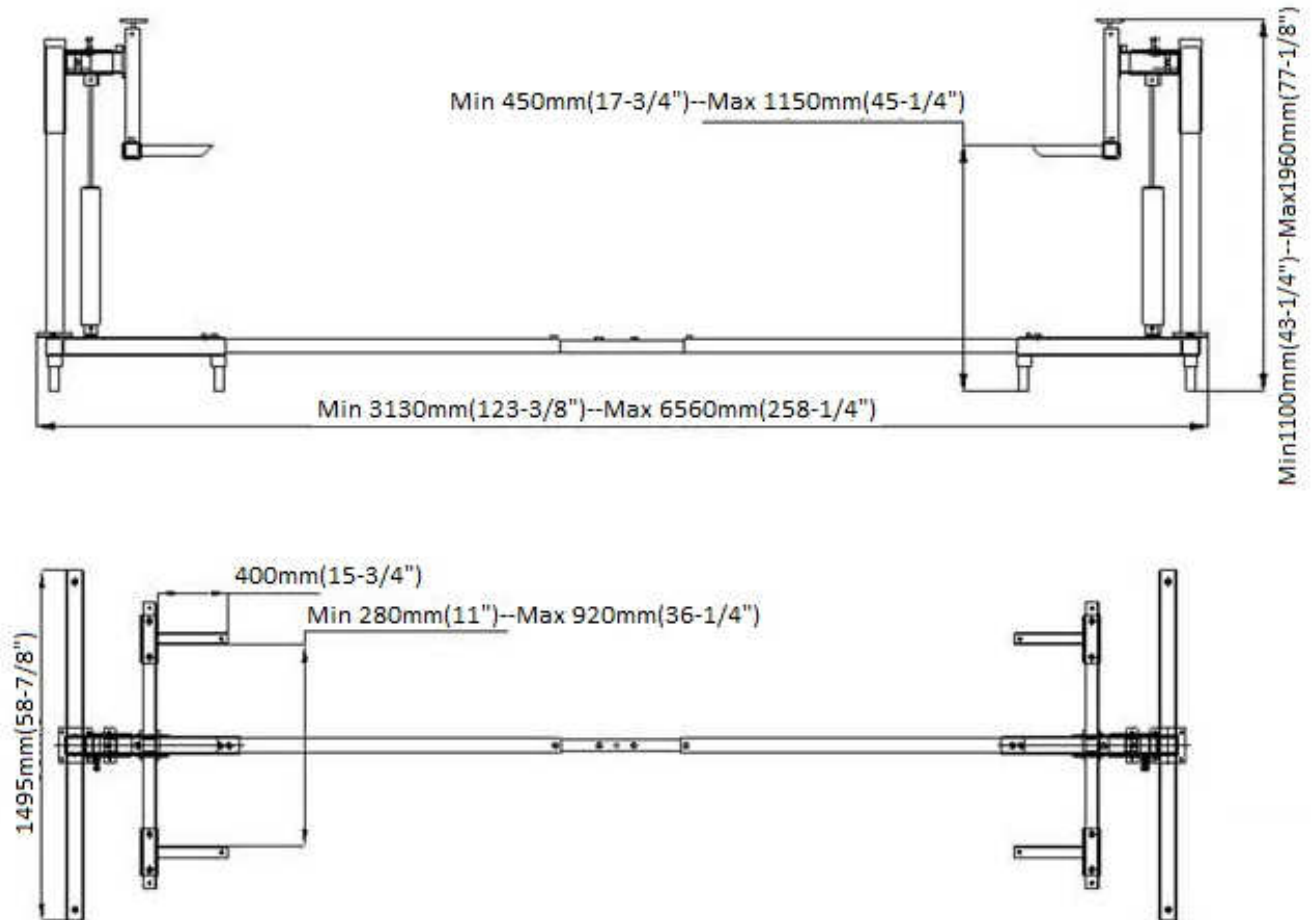
Whether you're an owner of a large restoration shop or simply a home hobbyist, the Car Rotator provides an efficient and affordable way for anyone to restore old classic vehicles.

# 1. GENERAL INFORMATION

## 1.1 SPECIFICATIONS

<b>Item No.</b>	<b>CR-3000</b>
<b>Capacity</b>	<b>3,000 lbs</b>
<b>Height overall</b>	<b>77-1/8"</b>
<b>Length overall</b>	<b>258-1/4"</b>
<b>Width overall</b>	<b>58-7/8"</b>
<b>Lifting height</b>	<b>17-3/4" - 45-1/4"</b>
<b>Net weight</b>	<b>378 lbs</b>

## 1.2 DIMENSIONS (mm / inch)



**CR-3000 Dimensions  
Fig. 1**

## 2. ASSEMBLY INSTRUCTIONS

### STEP 1.

1. Connect the rack leg to the main stand with bolts and nuts. (Fig. 2)
2. Install the caster wheels to the rack leg and main stand. (Fig. 3)



Fig. 2



Fig. 3

### STEP 2.

1. Insert the swing upright into the rotating sleeve. Fix the long threaded rod (on the rotating sleeve) with the swing upright by the fixing plate. ( Fig. 4)



Fig. 4



Fig. 5

2. Insert the lifting upright into the main stand. (Fig. 5)

### STEP 3.

1. Insert the rotating sleeve (together with the swing upright) into the lifting upright. (Fig. 6)
2. Put on the rotating lock-plate. (Fig. 7)



Fig. 6



Fig. 7

### STEP 4.

1. Put on the cylinder. Lock the cylinder with pins and split pins. (Figs. 8 & 9)



Fig. 8



Fig. 9

## STEP 5.

1. Put on the adapter arms on the swing upright. (Fig. 10)



Fig. 10

## STEP 6.

1. Connect the extension tubes together. (Fig. 11)

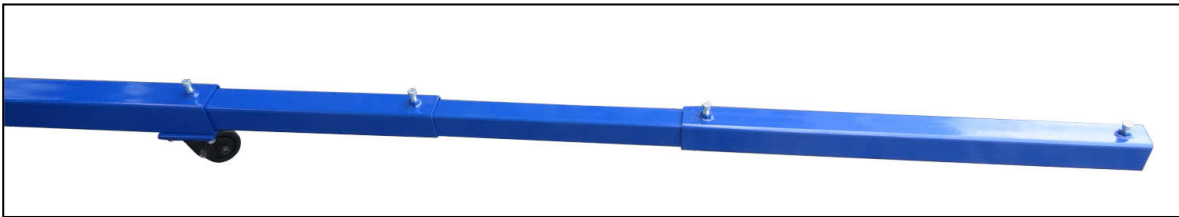


Fig. 11

## STEP 7.

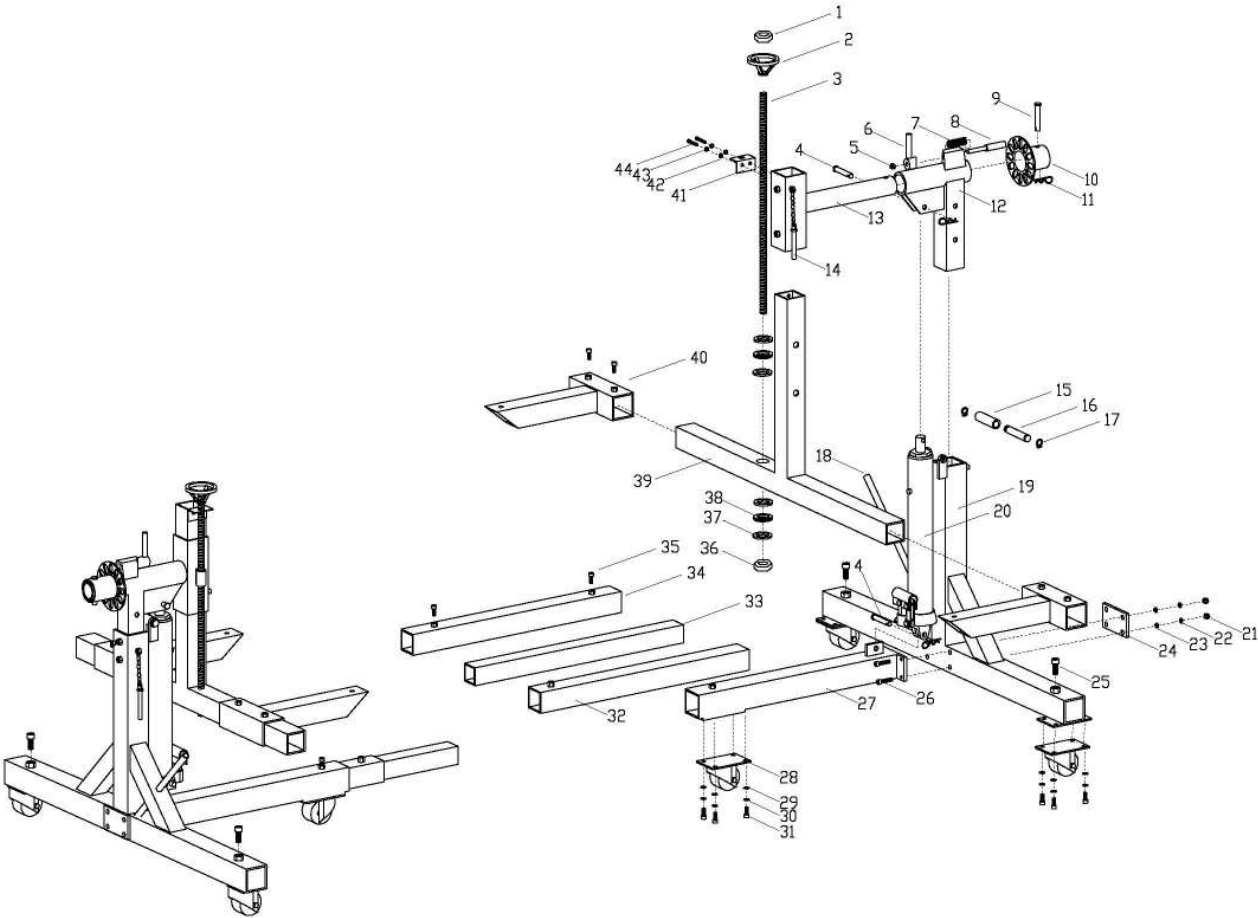
1. Repeat the above steps for the other half of the car rotator.



Fig. 12

**The CR-3000 Car Rotator is ready for application.**

# CR-3000 Exploded View





## CR-3000 Parts List

ITEM	CODE	DESCRIPTION	QTY
1	157011*01-001	Lock Nut M12	2
2	157011*01-002	Adjustable Club	2
3	157011*01-003	Adjust Screw Rod	2
4	157011*01-004	Cylinder Pin	4
5	157011*01-005	Lock Washer M8	2
6	157011*01-006	Wedge Handle	2
7	157011*01-007	Spring	2
8	157011*01-008	Lock Pin	2
9	157011*01-009	Connecting Pin	2
10	157011*01-010	Locking Plate	2
11	157011*01-011	R-Pin	6
12	157011*01-012	Lifting Stand	2
13	157011*01-013	Rotating Stand	2
14	157011*01-014	Locking Pin	4
15	157011*01-015	Guide Sleeve	2
16	157011*01-016	Guide Spindle	2
17	157011*01-017	Circlip	4
18	157011*01-018	Operation handle	2
19	157011*01-019	Main Stand	2
20	157011*01-020	Hydraulic Cylinder	2
21	157011*01-021	Nut M10	8
22	157011*01-022	Lock Washer M10	24
23	157011*01-023	Washer M10	24
24	157011*01-024	Plate	2
25	157011*01-025	Bolt M20	4
26	157011*01-026	Bolt M10	8
27	157011*01-027	Main Connecting Rod	2
28	157011*01-028	3" Caster	6
29	157011*01-029	Washer M8	24
30	157011*01-030	Lock Washer	24
31	157011*01-031	Bolt M8	24
32	157011*01-032	Connecting Rod	2
33	157011*01-033	Extending Rod	2
34	157011*01-034	Intermediate Connecting Rod	1
35	157011*01-035	Nut M10	22
36	157011*01-036	Lock Nut M16	2
37	157011*01-037	Washer	8
38	157011*01-038	Bearing	4
39	157011*01-039	Stand	2
40	157011*01-040	Movable Stand	4
41	157011*01-041	Screw Rod Stand	2
42	157011*01-042	Washer M6	4
43	157011*01-043	Lock Washer M6	4
44	157011*01-044	Nut M6	4

## **LIMITED WARRANTY**

### **Structural Warranty:**

The following parts and structural components carry a five year warranty:

Columns	Arms	Uprights	Swivel Pins
Legs	Carriages	Overhead Beam	
Tracks	Cross Rails	Top Rail Beam	

### **Limited One-Year Warranty:**

Tuxedo Distributors, LLC (Tuxedo) offers a limited one-year warranty to the original purchaser of Lifts and Wheel Service equipment in the United States and Canada. Tuxedo will replace, without charge, any part found defective in materials or workmanship under normal use, for a period of one year after purchase. The purchaser is responsible for all shipping charges. This warranty does not apply to equipment that has been improperly installed or altered or that has not been operated or maintained according to specifications.

### **Other Limitations:**

This warranty does not cover:

1. Parts needed for normal maintenance
2. Wear parts, including but not limited to cables, slider blocks, chains, rubber pads and pulleys
3. Replacement of lift and tire changer cylinders after the first 30 days. A seal kit and installation instructions will be sent for repairs thereafter.
4. On-site labor

Upon receipt, the customer must visually inspect the equipment for any potential freight damage before signing clear on the shipping receipt. Freight damage is not considered a warranty issue and therefore must be noted for any potential recovery with the shipping company.

The customer is required to notify Tuxedo of any missing parts within 72 hours. Timely notification must be received to be covered under warranty.

Tuxedo will replace any defective part under warranty at no charge as soon as such parts become available from the manufacturer. No guarantee is given as to the immediate availability of replacement parts.

Tuxedo reserves the right to make improvements and/or design changes to its lifts without any obligation to previously sold, assembled or fabricated equipment.

There is no other express warranty on the Tuxedo lifts and this warranty is exclusive of and in lieu of all other warranties, expressed or implied, including all warranties of merchantability and fitness for a particular purpose.

To the fullest extent allowed by law, Tuxedo shall not be liable for loss of use, cost of cover, lost profits, inconvenience, lost time, commercial loss or other incidental or consequential damages.

This Limited Warranty is granted to the original purchaser only and is not transferable or assignable.

Some states do not allow exclusion or limitation of consequential damages or how long an implied warranty lasts, so the above limitations and exclusions may not apply. This warranty gives you specific legal rights and you may have other rights, which may vary from state to state.

1905 N Main St Suite C, Cleburne, TX 76033  
Ph 817-558-9337 / Fax 817-558-9740