

Pull Rams

Operating Instructions & Parts Manual

Model Number

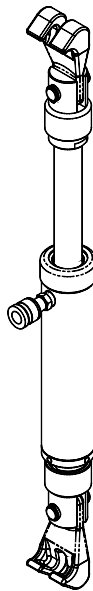
B65143

B65454

Capacity

2 Ton

5 Ton



This is the safety alert symbol. It is used to alert you to potential personal injury hazards. Obey all safety messages that follow this symbol to avoid possible injury or death.

ADVERTENCIA

- Leer, comprender, y seguir las instrucciones antes de utilizar el aparato.
- El manual de instrucciones y la información de seguridad deben estar comunicado en lengua del operador antes del uso.
- No seguir estas indicaciones puede causar daños personales o materiales.

SFA Companies
10939 N. Pomona Ave. Kansas City, MO 64153
sales@blackhawk-automotive.com

Read this manual and follow all the Safety Rules and Operating Instructions before using this product.


SAFETY and GENERAL INFORMATION


Save these instructions. For your safety, read and understand the information contained within. The owner and operator shall have an understanding of this product and safe operating procedures before attempting to use this product. Instructions and Safety information shall be conveyed in the operators native language before use of this product is authorized. Make certain that the operator thoroughly understands the inherent dangers associated with the use and misuse of the product. If any doubt exists as to the safe and proper use of this product as outlined in this factory authorized manual, remove from service.

Inspect before each use. Do not use if broken, bent, cracked or otherwise damaged parts are noted. If any component of this product has been or suspected to have been subjected to a shock load (a load dropped suddenly, unexpectedly upon it), discontinue use until checked out by an Porto-Power Blackhawk Automotive authorized service center. Owners and operators of this equipment shall be aware that the use and subsequent repair of this equipment may require special training and knowledge. It is recommended that an annual inspection be done by qualified personnel and that any missing or damaged parts, decals, warning/safety labels or signs be replaced with factory authorized replacement parts only. Any component of this ram that appears to be damaged in any way, is worn or operates abnormally shall be removed from service immediately until such time as it can be repaired/replaced. Labels and Operator's Manuals are available from manufacturer.

PRODUCT DESCRIPTION

Porto-Power Rams are designed for rated capacity pulling jobs. A wide variety of applications exist for this category of product. Special skill, knowledge and training may be required for a specific task and the product may not be suitable for all the jobs described above. Unsuitable applications would include applications that call for a device to move, level or support persons, animals, hazardous materials, mobile homes/dwellings in general, mirrors and/or plate glass, and/or to connect/secure hatches, components, etc. between bulkheads. The user ultimately must make the decision regarding suitability of the product for any given task and therefore accept responsibility for that decision.

 **WARNING:** *To reduce the risk of personal injury and/or property damage, ensure that the rated working pressure of each pressurized attachment be equal to or greater than the rated working pressure developed by the hydraulic pump.*

 *Always check connections before using. Alteration of these products is strictly prohibited. Use only those adapters and attachments provided and approved by the manufacturer.*

SPECIFICATIONS

| Model Number | Ram Capacity (ton) | Stroke (in) | Ram Effective Area (in ²) | Oil Capacity (in ³) | Collapsed Height (in) | Extended Height (in) | Plunger Dia. (in) | Housing Dia. (in) | Pressure at Rated Cap. (psi) | Port |
|--------------|--------------------|-------------|---------------------------------------|---------------------------------|-----------------------|----------------------|-------------------|-------------------|------------------------------|---------|
| B65143 | 2 | 5.0 | 0.56 | 2.80 | 10.51 | 15.51 | 0.75 | 1.89 | 7,150 | 1/4NPTF |
| B65454 | 5 | 5.55 | 1.14 | 6.33 | 11.93 | 17.48 | 1.18 | 2.25 | 8,780 | |

BEFORE USE

1. Before using this product, read the owner's manual completely and familiarize yourself thoroughly with the product, its components and recognize the hazards associated with its use.
2. Verify that the product and the application are compatible.
3. Inspect before each use. Do not use if bent, broken, leaking or damaged components are noted.
4. Replace worn or damaged parts and assemblies with Porto-Power Blackhawk automotive authorized replacement parts only. Lubricate as instructed in Maintenance Section.
5. Use adequate eye protection when operating or near this equipment.
6. Ensure method of confirming load is accurate and working properly. Have gauge or load cell accuracy verified by qualified personnel on a yearly basis.
7. Rams should be stored where protected from the elements, abrasive dust, and damage. These rams should be stored in the vertical position.

⚠ WARNING



Failure to comply with the following warnings may result in **personal injury** as well as **property damage**.



- Study, understand, and follow all instructions provided with and on this device before use.
- The user must be a qualified operator familiar with the correct operation, maintenance, and use of cylinders.



Wear protective gear when operating hydraulic equipment.



This device is **NOT** suitable for use as **support** device! As the load is lifted, use blocking and cribbing to guard against a falling load. Stay clear of a lifted load before it is properly supported. Never rely on hydraulic pressure to support a load.



Crush Hazard. Keep hands and feet away from cylinder and workpiece during operation.



- Do not exceed rated capacity of the cylinder or any equipment in the system. The cylinder is designed for a max. pressure of 10,000 psi.
- Do not connect a cylinder to a pump with higher pressure rating.
- Do not subject cylinder to a shock loads, a load dropped suddenly, causing the system pressure to exceed rated pressure.



The system operating pressure must not exceed the pressure rating of the lowest rated component the system. Install a pressure gauge or other load measuring instrument to monitor the operating pressure. Burst hazard exists if hose, connection or any other component in the system exceed its rated pressure.



Avoid damaging hydraulic hose. Do not allow hose to kink, twist, curl, crush, cut or bend so tightly that fluid flow within the hose is blocked or reduced. Periodically inspect the hose for wear.



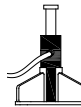
Do not pull, position or move cylinder setup by the hose. Use carrying handle or other means of safe transport.



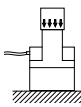
Do not handle pressurized hoses. Never attempt to grasp a leaking pressurized hose. Ensure to release the system pressure before disconnecting hydraulic hose or connections.



Hydraulic fluid can ignite and burn. Keep hydraulic equipment away from flames and heat. Excessive heat will soften seals, resulting in fluid leaks. Heat also weakens hose materials.



Cylinder must be on a stable base which is able to support the load while pushing or lifting. Use shims, friction material or constrains to prevent slippage of the base or load. Ensure cylinder is fully engaged into/onto adapters, extension accessories.



Center load on cylinder. Distribute load evenly across the entire saddle surface. Do not off-center loads on a cylinder. The load can tip or the cylinder can “kick out”.



Never try to disassemble a hydraulic cylinder, refer repairs to qualified, authorized personal. Contact Porto-power tech service for authorized service center.



Do not subject hose to sharp objects or heavy impact.



Hose material or seals must not come in contact with corrosive materials such as battery acid, creosote-impregnated objects and wet paint. Never paint a coupler or hose.



- No alteration shall be made to the cylinder.
- Use only factory authorized fasteners, accessories and hydraulic fluid.

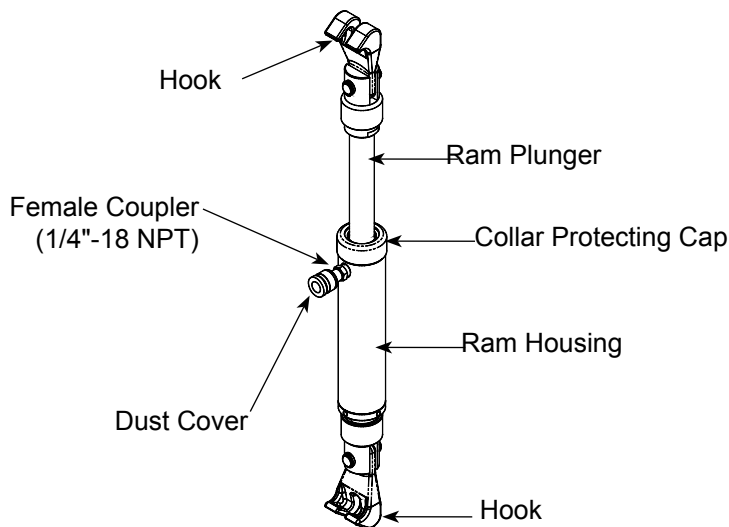


Figure 1- Typical Pull Ram Components (B65454 shown)

INSTALLATION

IMPORTANT! Use an approved, high-grade pipe sealant to seal all hydraulic connections.

1. Remove the dust cover and rubber plug from coupler.
2. Inspect all threads and fittings for signs of wear or damage, and replace as needed.
3. Clean all threads and fittings.
4. Connect hydraulic hose from hydraulic pump to the ram coupler. Ensure that there are no fluid leaks.
5. Install in-line pressure gauge.
6. Check for leaks in system and have repaired by qualified personnel.

Note: The use of ram attachments or extensions reduces the ram capacity by at least 50% per attachment/extension.

! *Before operating the pump, tighten all hose connections with proper tools. Do not overtighten. Connections should only be tightened securely and leak-free. Overtightening can cause premature thread failure or high pressure fittings to burst.*

! *Before repairs are made, depressurize ram.*

Tips for hydraulic hoses & fluid transmission lines:

- Avoid short runs of straight line tubing. Straight line runs do not provide for expansion and contraction due to pressure and/or temperature changes.
- Reduce stress in tube lines. Long tubing runs should be supported by brackets or clips.

OPERATION

Operate the hydraulic pump to retract and advance the ram.

! *To help prevent material fatigue if the ram is to be used in a continuous application, the load should not exceed 85% of the rated capacity.*

NOTICE *Do not continue pumping when ram is fully retracted. Internal pressure will build up and may damage the seal of the ram.*

MAINTENANCE

1. Inspect hoses and connections daily. Replace damaged components immediately with Porto-power Replacement Parts only.
2. Tighten connections as needed. Use pipe thread sealing compound when servicing connections.
3. Always use clean, approved hydraulic fluid and change as recommended or sooner if the fluid becomes contaminated (never exceed 400 hours). Follow pump manufacturers instructions for changing and adding hydraulic fluid. Use only good quality hydraulic fluid. We recommend Hein-Werner HW93291 or equivalent when using with hand pump

or air pump; Mobil DTE 15M or equivalent when using with electric pump. **Never** use brake fluid, transmission fluid, turbine oil, motor oil, alcohol, glycerin etc. Use of other than good quality hydraulic oil will void warranty and damage the ram, pump, hose etc.

Lubrication & Cleaning

1. Any exposed threads (male or female) must be cleaned and lubricated regularly, and protected from damage. Lubricate with light machine oil.
2. If a ram has been exposed to rain, snow, sand, airborne abrasive, or any corrosive environment, it must be cleaned, lubricated, and protected immediately after exposure. Daily clean exposed ram with clean cloth dampened with light machine oil. Protect exposed ram from the elements at all times.

Storage

Rams should be stored in vertical position in a dry, protected area, not exposed to corrosive vapor, dust or other harmful elements. When a ram has not been used for a period of 4 months, it should be connected to a pump and fully extended, then retracted a minimum of 5 times. This cycle will lubricate the plunger wall, reducing the possibility of corrosion and damage there of.

How to remove faulty coupler:

If ram does not extend/retract, secure load by other means. Depressurize pump and hose. Remove the ram from application. Disconnect and replace with new coupler.

How to bleed air from system:

Place pump at a higher elevation than the hose and ram as shown in figure 2. Operate pump to fully retract and extend the ram 2 or 3 times. The objective is to “force the air bubbles up hill and back to the pump reservoir. Follow pump instruction manual to bleed the air from pump reservoir. On most pumps, pressurized air can escape by simply opening the oil filler plug/ screw.

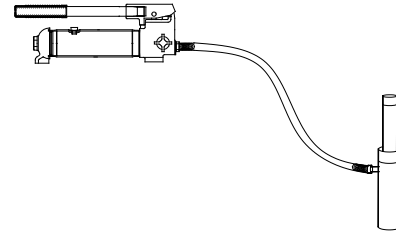


Figure 2 - Illustration to bleed air from system

ONE YEAR LIMITED WARRANTY

For a period of one (1) year from date of purchase, SFA Companies will repair or replace, at its option, without charge, any of its products which fails due to a defect in material or workmanship under normal usage. This limited warranty is a consumer's exclusive remedy.

Performance of any obligation under this warranty may be obtained by returning the warranted product, freight prepaid, to SFA Companies Warranty Service Department, 10939 N. Pomona Ave., Kansas City, MO 64153.

Except where such limitations and exclusions are specifically prohibited by applicable law.

- (1) THE CONSUMER'S SOLE AND EXCLUSIVE REMEDY SHALL BE THE REPAIR OR REPLACEMENT OF DEFECTIVE PRODUCTS AS DESCRIBED ABOVE.
- (2) SFA COMPANIES SHALL NOT BE LIABLE FOR ANY CONSEQUENTIAL OR INCIDENTAL DAMAGE OR LOSS WHATSOEVER.
- (3) ANY IMPLIED WARRANTIES, INCLUDING WITHOUT LIMITATION THE IMPLIED WARRANTIES OF MERCHANTABILITY AND FITNESS FOR A PARTICULAR PURPOSE, SHALL BE LIMITED TO ONE YEAR, OTHERWISE THE REPAIR, REPLACEMENT OR REFUND AS PROVIDED UNDER THIS EXPRESS LIMITED WARRANTY IS THE EXCLUSIVE REMEDY OF THE CONSUMER, AND IS PROVIDED IN LIEU OF ALL OTHER WARRANTIES, EXPRESS OR IMPLIED.
- (4) ANY MODIFICATION, ALTERATION, ABUSE, UNAUTHORIZED SERVICE OR ORNAMENTAL DESIGN VOIDS THIS WARRANTY AND IS NOT COVERED BY THIS WARRANTY.

Some states do not allow limitations on how long an implied warranty lasts, so the above limitation may not apply to you. Some states do not allow the exclusion or limitation of incidental or consequential damages, so the above limitation or exclusion may not apply to you. This warranty gives you specific legal rights, and you may also have other rights which vary from state to state.

TROUBLESHOOTING GUIDE

The following information is intended as an aid in determining if problem exists. For repair service, contact Porto-Power authorized service center in your area.

| Symptom | Possible Causes | Corrective Action |
|--|---|---|
| Erratic action | <ul style="list-style-type: none"> • Air in system or pump cavitation • External leakage in ram • Ram sticking or binding | <ul style="list-style-type: none"> • Vent the system (refer to figure 2) • Contact service center • Contact service center |
| Ram will not retract, or respond to pressurized fluid | <ul style="list-style-type: none"> • Overload condition • Loose couplers • Faulty couplers • Improper valve position • Oil level in pump is low • Pump not operating • Air-locked pump | <ul style="list-style-type: none"> • Remedy overload condition • Tighten couplers • Replace both female and male couplers • Close release valve or change valve position • Fill and bleed the system • Check pump's operating instructions • Prime pump per pump operating instructions |
| Ram retracts only partially | <ul style="list-style-type: none"> • Oil level in pump is low • Overload condition • Ram is sticking or binding | <ul style="list-style-type: none"> • Fill and bleed the system • Remedy overload condition • Contact service center |
| Ram moves slower than normal | <ul style="list-style-type: none"> • Loose connection or coupler • Restricted hydraulic line or fitting • Pump not working correctly • Ram seals leaking | <ul style="list-style-type: none"> • Tighten connection or coupler • Clean and replace if damaged • Check pump's operating instructions. • Contact service center |
| Ram responds to pressurized fluid, but system does not maintain pressure | <ul style="list-style-type: none"> • Overload condition • Pump or valve malfunctioning • Ram seals leaking | <ul style="list-style-type: none"> • Remedy overload condition • Check pump's operating instructions • Contact service center |
| Oil leaking from ram | <ul style="list-style-type: none"> • Worn or damaged seals | <ul style="list-style-type: none"> • Contact service center |
| Ram will not extend or extends slower than normal | <ul style="list-style-type: none"> • Improper valve position • Malfunctioning coupler, damaged application • Pump reservoir overfilled • Ram damage internally | <ul style="list-style-type: none"> • Open release valve or change valve position • Secure load by other means. Depressurize pump and hoses, remove application and replace coupler. • Secure load by other means. Depressurize pump and hoses, remove application, then drain fluid to proper level. • Contact service center |
| Poor performance | <ul style="list-style-type: none"> • Oil level in pump is low • Air trapped in system | <ul style="list-style-type: none"> • Ensure proper oil level • Vent the system (refer to figure 2) |

REPLACEMENT PARTS

Not all components of the ram are replacement items, but are illustrated as a convenient reference of location and position in the assembly sequence. When ordering parts, give model number, serial number and description below. Call or write for current pricing: SFA Companies 10939 N. Pomona Ave. Kansas City, MO 64153, U.S.A. Tel:(816)891-6390 Fax:(816)891-6599 E-Mail: sales@blackhawk-automotive.com.

Replacement Parts For Model B65143:

| Item# | Part# | Description | Qty. |
|-------|----------------|---------------------------------|------|
| 1 | N/A | Plunger | 1 |
| 2 | H29-6-1804-104 | Upper Bearing | 1 |
| 3 | * | Dust Seal | 1 |
| 4 | N/A | Cylinder | 1 |
| 5 | * | Back-up Ring | 1 |
| 6 | * | U-cup | 1 |
| 7 | * | U-cup | 1 |
| 8 | * | Back-up Ring | 1 |
| 9 | H05-6-1204-106 | Bearing | 1 |
| 10 | H29-3-1403-108 | Spring Guide Rod | 1 |
| 11 | 511-2-0069-118 | Compression spring | 1 |
| 12 | 511-2-0125-112 | Compression spring | 1 |
| 13 | H29-6-1204-100 | Lower Bearing | 1 |
| 14 | B69477 | Female Coupler Assy. (1/4" NPT) | 1 |
| 15 | H05-6-2305-107 | Protecting Cap | 1 |
| 16 | H29-3-2810-106 | Hook Assembly (Top) | 1 |
| 17 | H29-3-1811-108 | Hook Assembly (Bottom) | 1 |
| (*) | H29-3-9901-104 | Repair Kit | - |

(*) - Repair Kit includes item# 3, 5, 6, 7, 8
 N/A - Part is not available, replace entire ram

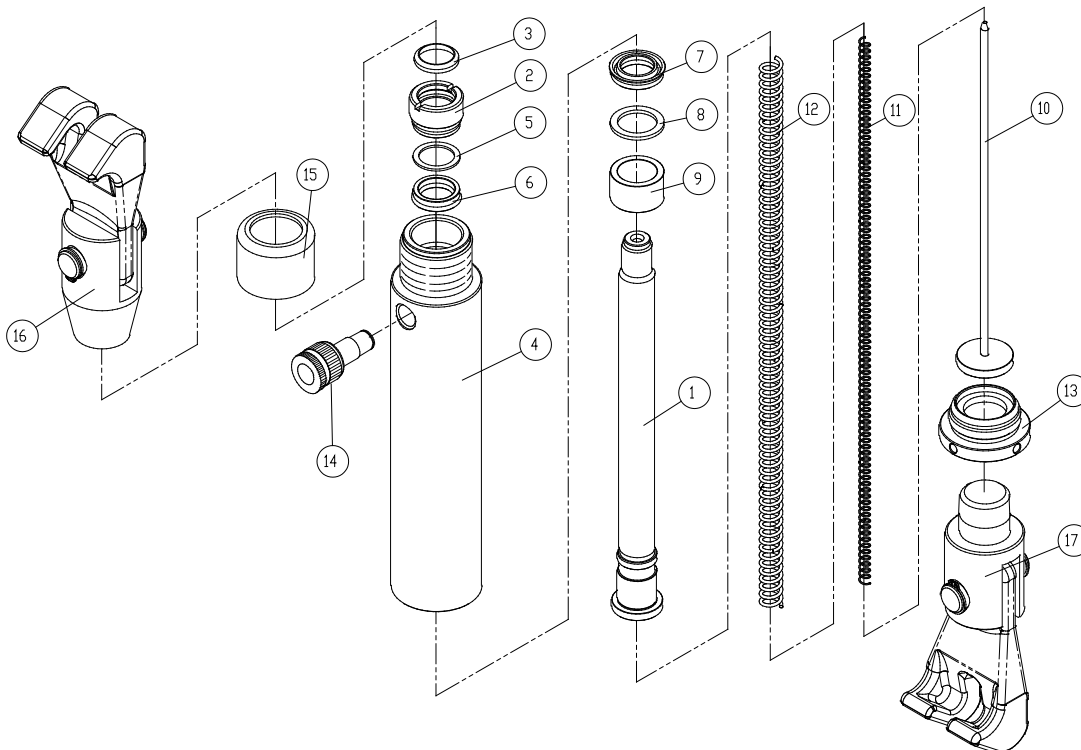


Figure 3 - Replacement Parts Illustration for Model B65143

Replacement Parts For Model B65454:

| Item# | Part# | Description | Qty. |
|-------|----------------|---------------------------------|------|
| 1 | N/A | Cylinder | 1 |
| 2 | N/A | Plunger | 1 |
| 3 | * | Dust Seal | 1 |
| 4 | H21-6-1804-108 | Upper Bearing | 1 |
| 5 | * | Back-up ring | 1 |
| 6 | * | U-cup | 1 |
| 7 | * | U-cup | 1 |
| 8 | * | Back-up ring | 1 |
| 9 | H10-5-1204-109 | Bearing | 1 |
| 10 | 511-2-0125-103 | Compression Spring | 1 |
| 11 | 511-2-0200-101 | Compression Spring | 1 |
| 12 | H21-3-1403-102 | Spring Guide Rod | 1 |
| 13 | H21-5-1204-108 | Lower Bearing | 1 |
| 14 | H20-6-6008-102 | Bushing | 1 |
| 15 | B69477 | Female Coupler Assy. (1/4" NPT) | 1 |
| 16 | H21-6-2812-102 | Adapter | 1 |
| 17 | H21-5-2305-109 | Protecting Cap | 1 |
| 18 | B65535 | Connector | 1 |
| 19 | B65649 | Hook Assembly | 2 |
| (*) | H21-3-9910-109 | Repair Kit | - |

(*) - Repair Kit includes item# 3, 5, 6, 7, 8
 N/A - Part is not available, replace entire ram

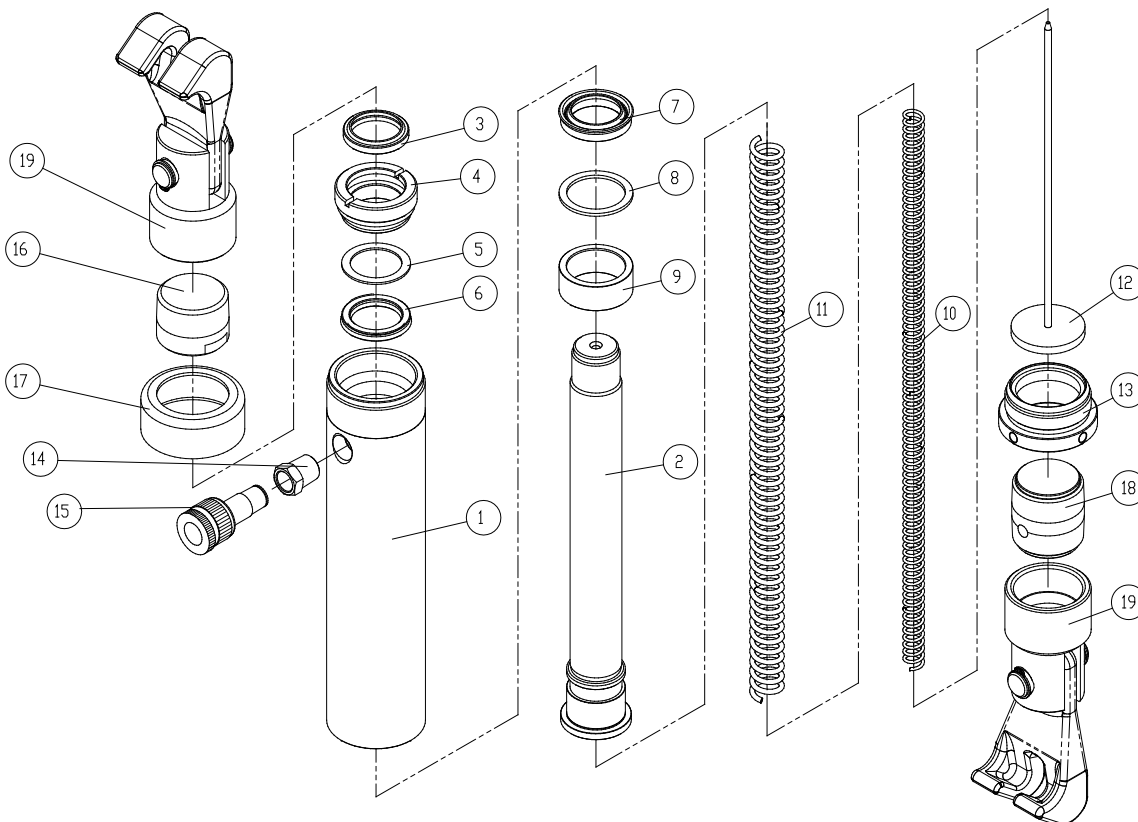


Figure 4 - Replacement Parts Illustration for Model B65454