



Brand: BendPak
Model: XPR-10AS-LP
Description: 10,000-lb. Capacity Asymmetric 2-Post Lift / Screw Pad Set / Low-Pro Arms

The Best Car Lift

Our XPR-10AS-LP asymmetric two-post lift features our exclusive Low-Pro™ arms that better accommodate lowered sports cars and vehicles with ground effects. This durable, safe, and reliable car lift features an expandable top beam for wide or narrow installation and Tru-Metric arms to suit virtually every vehicle lifting requirement. The simple, yet highly sophisticated lift design keeps service and maintenance costs to a minimum, delivering lower operating expenses and higher productivity.

This true asymmetric lift features 30° rotated columns for added door-opening clearance and interior car access. The exclusive Tru-Metric carriage and arm design combines to give users the ability to load vehicles either symmetrically (centerline of vehicle at column) or asymmetrically (centerline of vehicle behind column).

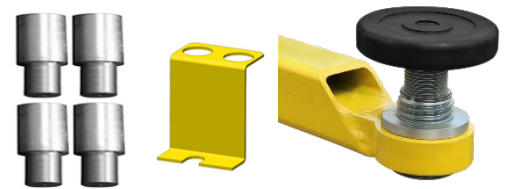
The XPR-10AS-LP features double-telescoping screw pads with gouge and tear-resistant polyurethane pads to help increase workplace safety and reduce operating costs. A set of our 63 mm stacking adapters included as standard accessories.

Features

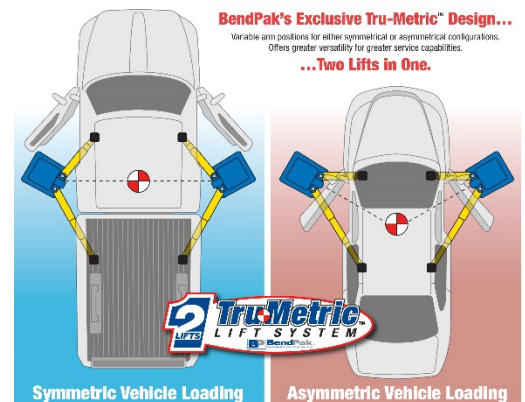
- 10,000-lb. lifting capacity
- Expandable top beam accommodates wide or narrow drive-thru configuration
- Double-telescoping screw pads offer increased versatility
- Padded overhead safety shutoff bar
- Exclusive Tru-Metric arm design for more versatile arm positioning
- 30° rotated single-piece columns
- Single-point safety release
- Drop-end arms provide a lower pad height
- Dual hydraulic direct-drive cylinders
- Oversized 53" tall carriage for superior strength and durability
- Electric / hydraulic power system
- Large, 17" x 19" A36 steel base plate
- Self-lubricating dura-glide UHMW polyethylene bearing system
- Safety locks in each column spaced every 3"
- Automatic arm restraints
- Heavy-duty 1/2" aircraft-quality equalizer cables
- Oversized cable sheave diameter reduces cable fatigue
- 4-piece 63mm stackable adapter set comes standard
- Triple-telescoping arm design
- ALL certified

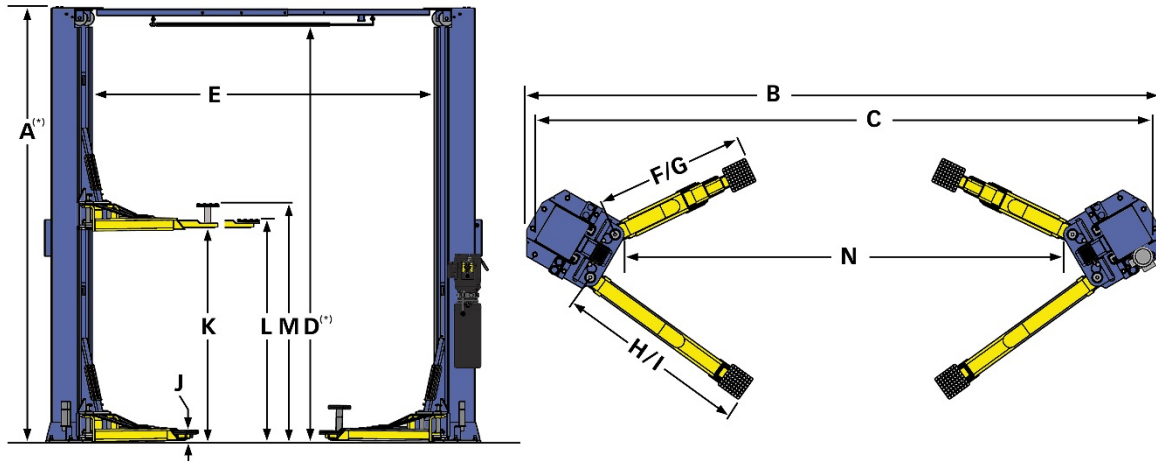


Low-Pro™ accommodate sports cars and vehicles with ground effects



Double-telescoping screw pads and stackable risers





TWO-POST MODEL / HEAVY-DUTY / ASYMMETRIC

MODEL	XPR-10AS-LP
Lifting Capacity*	10,000 lbs. / 4,536 kg
*Max Capacity / Front Axle	5,000 lbs. / 2,268 kg
*Max Capacity / Rear Axle	5,000 lbs. / 2,268 kg
A - Height Overall: (*)	145" / 3,683 mm
B - Width Overall - NARROW CONFIGURATION	137" / 3,480 mm
B - Width Overall - WIDE CONFIGURATION	145" / 3,683 mm
C - Width Outside of Columns: (NARROW CONFIGURATION)	133" / 3,378 mm
C - Width Outside of Columns: (WIDE CONFIGURATION)	141" / 3,581 mm
D - Floor To Overhead Switch: (*)	141" / 3,581 mm
E - Inside Columns: (NARROW CONFIGURATION)	104" / 2,642 mm
E - Inside Columns: (WIDE CONFIGURATION)	112" / 2,845 mm
F - Reach (Front Arm Min.):	23-1/2" / 597 mm
G - Reach (Front Arm Max.):	38-1/2" / 978 mm
H - Reach (Rear Arm Min.):	34-1/2" / 876 mm
I - Reach (Rear Arm Max.):	54-1/2" / 1,384 mm
J - Min. Pad Height:	4.25" - 6-3/4" / 108 mm
K - Rise:	69" / 1,753 mm
L - Max Lift Height (Screw Pad Only):	73" - 75" / 1,854 - 1,905 mm
M - Max Lift Height (Screw Pad & 63mm Adapter):	75.5" - 77.5" / 1,917 mm - 1,968 mm
N - Drive-Thru Clearance: (NARROW CONFIGURATION)	94" / 2,388 mm
N - Drive-Thru Clearance: (WIDE CONFIGURATION)	102" / 2,591 mm
Motor (**)	220 VAC / 60 Hz / 1Ph
Time of full Rise:	45 sec
Max Load Per Arm:	2,500 lbs. / 1,134 kg

* An optional bolt-on top extension for columns raises the overhead bar an additional 24". Must be ordered from factory at time of order.

** Special Voltages Available Upon Request.

The design, material and specifications are subject to change without notice.