

LOW-RISED PORTABLE LIFT

The Portable low-rised lift is an excellent choice for low ceiling or adding a bay for seasonal increases in business. Provides good working height for tires, brakes and body repairs.



LR10

PORTABLE LIFT

Main Features

- ✓ Automatic multifail safety locks.
- ✓ Automatic safety lock release.
- ✓ Portable unit is easy to move with the power unit stand.
- ✓ High speed: From 105-600 mm (4 1/8"-23 5/8") in just 50 seconds.
- ✓ Standard rubber pads included.

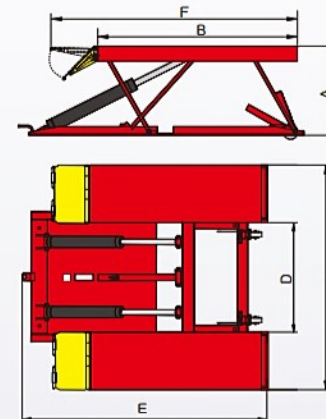


Both 1 1/2" and 3" height Rubber Pads



Extend the platform to 66".

SPECIFICATIONS



Model	LR10
Lifting Capacity	10,000lbs (4500kg)
Lifting Time	50S
Max. Lifting Height	23 5/8" (600mm)
Min. Height	A 4 1/8" (105mm)
Runway Length	B 53 1/4" (1352mm)
Overall Width	C 70" (1780mm)
Width Between Runways	D 34 1/8" (868mm)
Overall Length	E 76 1/4" (1938mm)
Overall Runway Length (Inc.Ramp)	F 66" (1676mm)
Gross Weight	1,025lbs (465kg)
Motor	1.0HP, 110V/60Hz, single phase

AMGO HYDRAULIC CORPORATION

SC Division: 1931 Joe Rogers Jr Blvd, Manning, SC 29102, USA
Tel: (803) 505-6410

TX Division: 4310 Adler, Suite 200, Dallas, TX 75211, USA