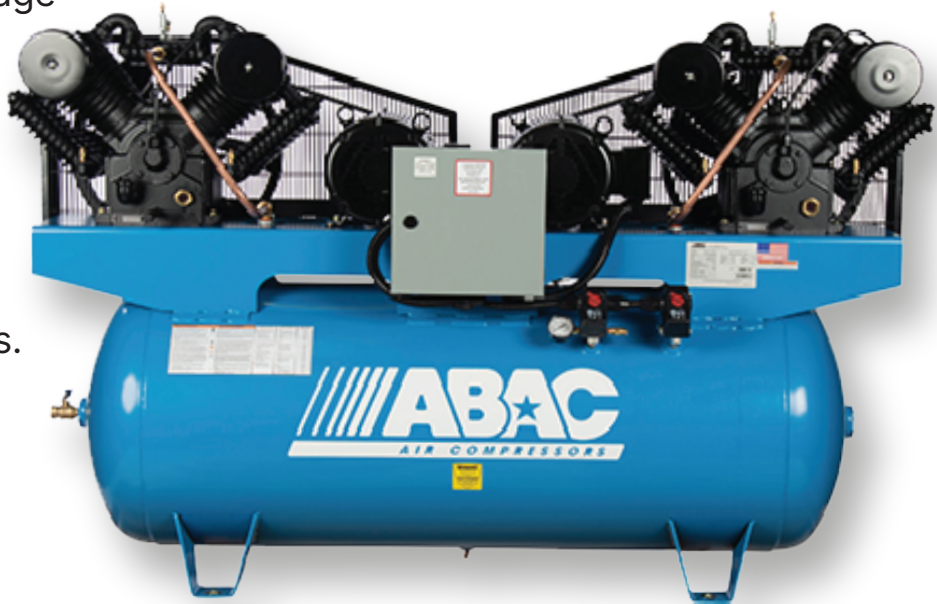




# ABC10-23120HD

<b>Tank Layout</b>	Horizontal
<b>Tank Capacity</b>	120HD
<b>Pump Configuration</b>	Two-Stage
<b>Power Supply</b>	230/3
<b>HP</b>	10 (x2)
<b>CFM @ Max PSI</b>	64
<b>Max PSI</b>	175
<b>Weight</b>	1309 lbs.
<b>Length</b>	25.1"
<b>Width</b>	79.3"
<b>Height</b>	50.2"
<b>Warranty</b>	2 Year

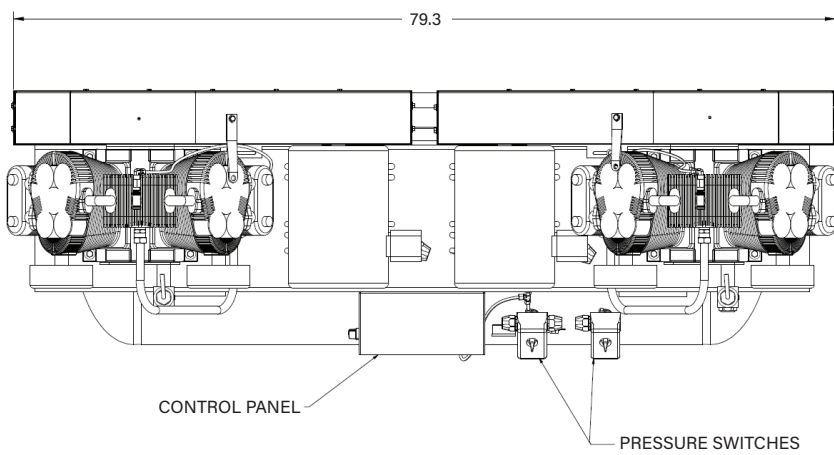
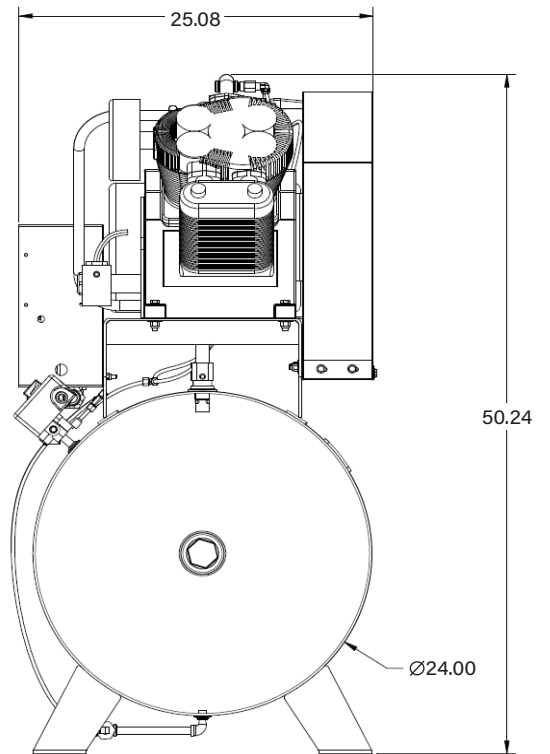
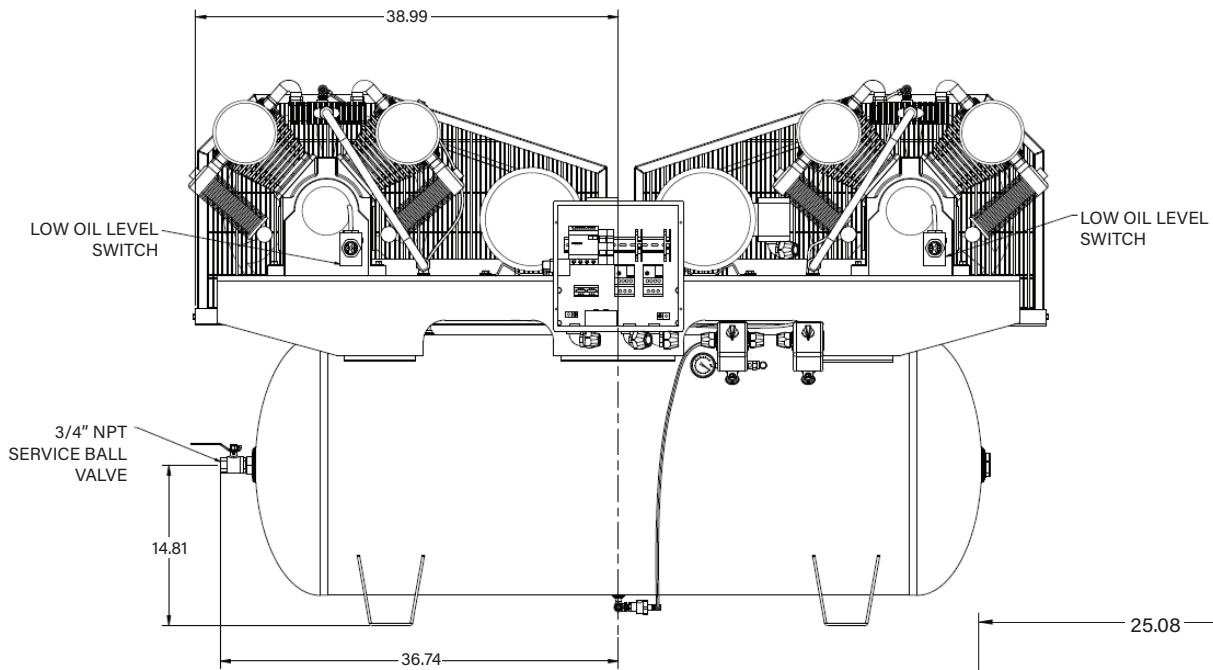


## KEY FEATURES

- // Magnetic Motor Control
- // Fully Programmable Control Panel Settings
- // Dual Control Increases Output
- // Alternating Control to Decrease Downtime

ASSEMBLED IN  
  
**USA**

PN: 2020041793



**NOTES:**

- 1) ALL DIMENSIONS GIVEN IN INCHES
- 2) ALLOW MINIMUM OF 12 INCHES ON ALL SIDES FOR SERVICE AND COOLING