



# ABC5-21120HD

<b>Tank Layout</b>	Horizontal
<b>Tank Capacity</b>	120HD
<b>Pump Configuration</b>	Two-Stage
<b>Power Supply</b>	230/1
<b>HP</b>	5 (x2)
<b>CFM @ Max PSI</b>	32
<b>Max PSI</b>	175
<b>Weight</b>	1120 lbs.
<b>Length</b>	25.1"
<b>Width</b>	73.4"
<b>Height</b>	51.8"
<b>Warranty</b>	2 Year

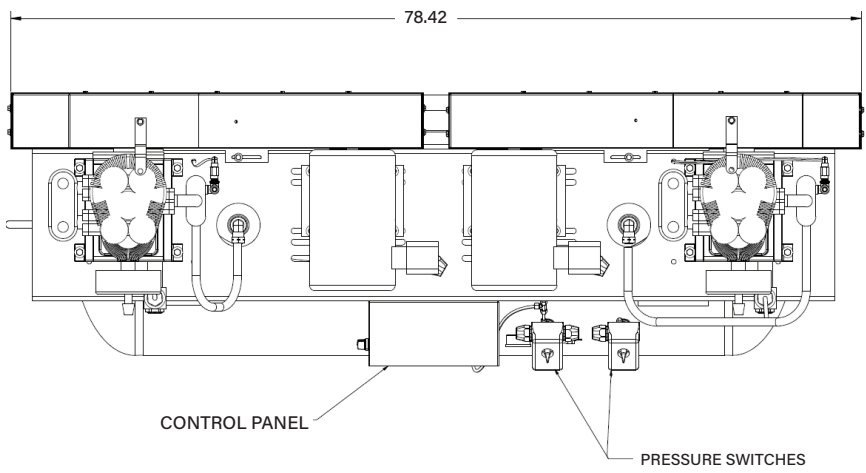
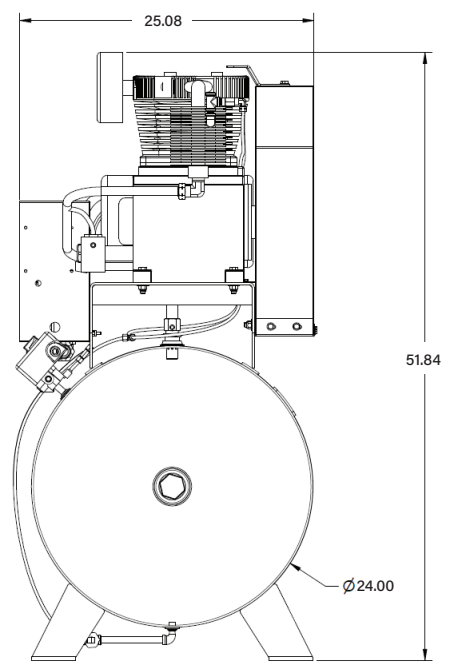
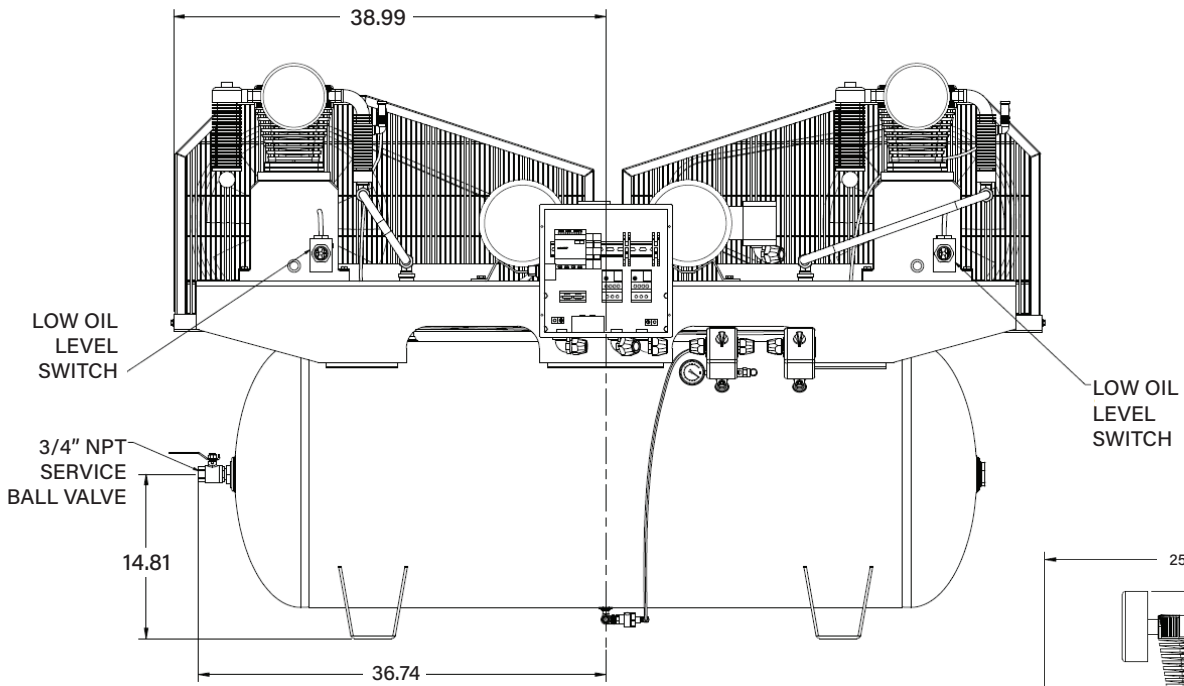


## KEY FEATURES

- // Magnetic Motor Control
- // Fully Programmable Control Panel Settings
- // Dual Control Increases Output
- // Alternating Operation to Decrease Downtime

ASSEMBLED IN  
  
**USA**

PN: 2020041757



- NOTES:
- 1) ALL DIMENSIONS GIVEN IN INCHES
  - 2) ALLOW MINIMUM OF 12 INCHES ON ALL SIDES FOR SERVICE AND COOLING