



# ABC7-21120HD

<b>Tank Layout</b>	Horizontal
<b>Tank Capacity</b>	120HD
<b>Pump Configuration</b>	Two-Stage
<b>Power Supply</b>	230/1
<b>HP</b>	7.5 (x2)
<b>CFM @ Max PSI</b>	42 (x2)
<b>Max PSI</b>	175
<b>Weight</b>	1138 lbs.
<b>Length</b>	25.1"
<b>Width</b>	78.4"
<b>Height</b>	51.8"
<b>Warranty</b>	2 Year

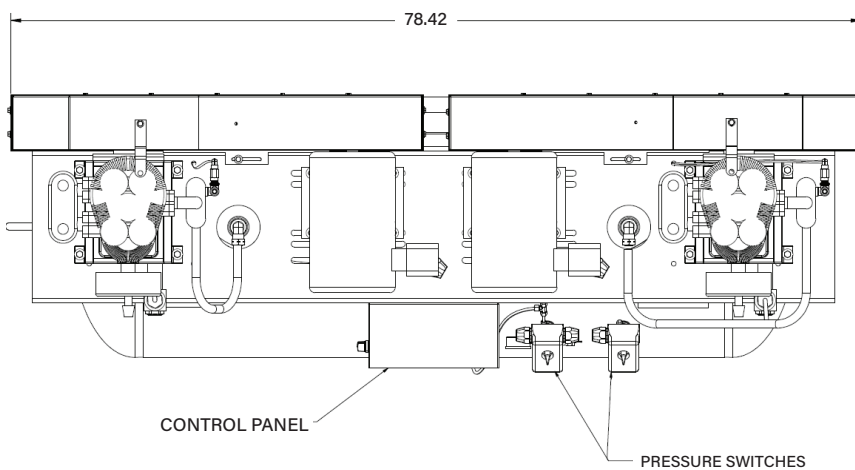
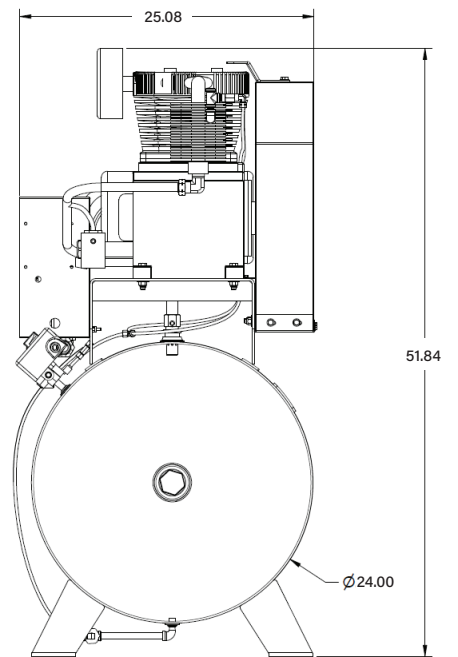
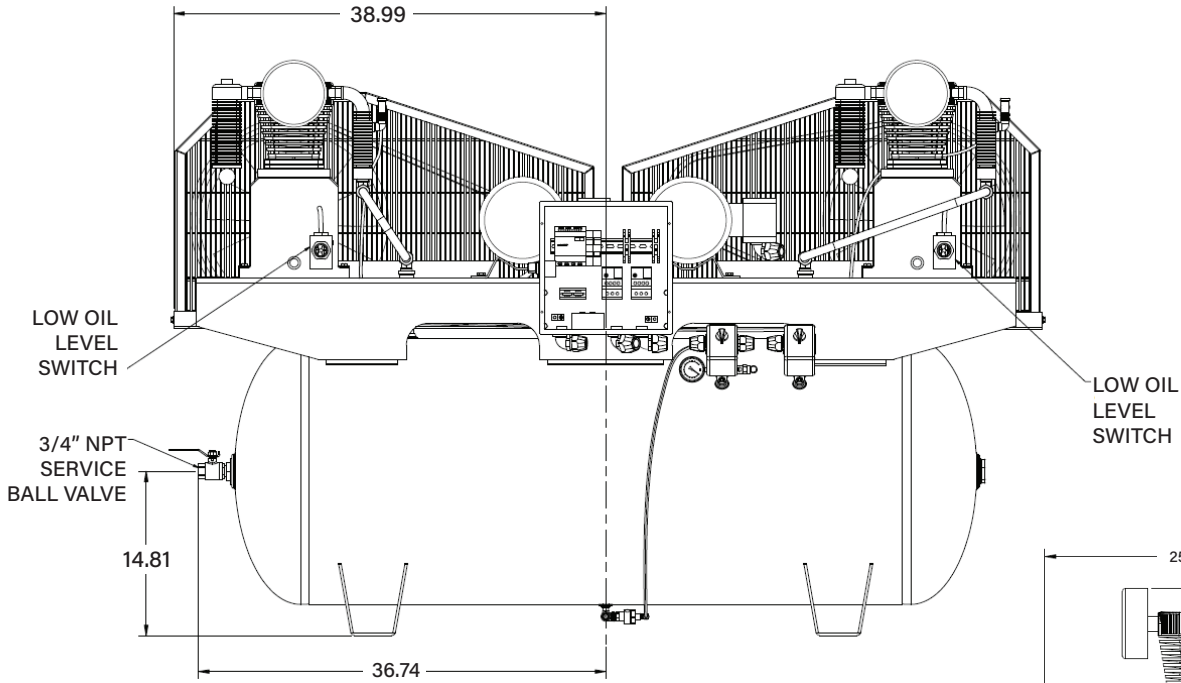


## KEY FEATURES

- // Magnetic Starter Motor Control
- // Alternating Operation to Decrease Downtime
- // Premium Disc Valves in Pump Section & Outlet Stages
- // Fully Enclosed Belt Guard

PN: 2020041760





**NOTES:**

- 1) ALL DIMENSIONS GIVEN IN INCHES
- 2) ALLOW MINIMUM OF 12 INCHES ON ALL SIDES FOR SERVICE AND COOLING