



MOTORCYCLE MINI-JACK

1,100 lbs. Capacity

#M-JACK

Installation / Operation Instructions

(242810)



CAUTION

**BEFORE USE, PLEASE READ ALL SAFETY AND OPERATION INSTRUCTIONS TO PREVENT
SERIOUS INJURY OR DAMAGES.**

Oct 2018

Specifications:

Max Capacity	1,100 lbs.	(500kg)
Max Height	15-3/4+	(400mm)
Min. Height	3-3/4+	(95mm)
Platform Size	17-23/32+x 5-29/32+	(450 x 150mm)
Net Weight	31.2 lbs.	(14.2kg)
Gross Weight	32 lbs.	(14.7kg)

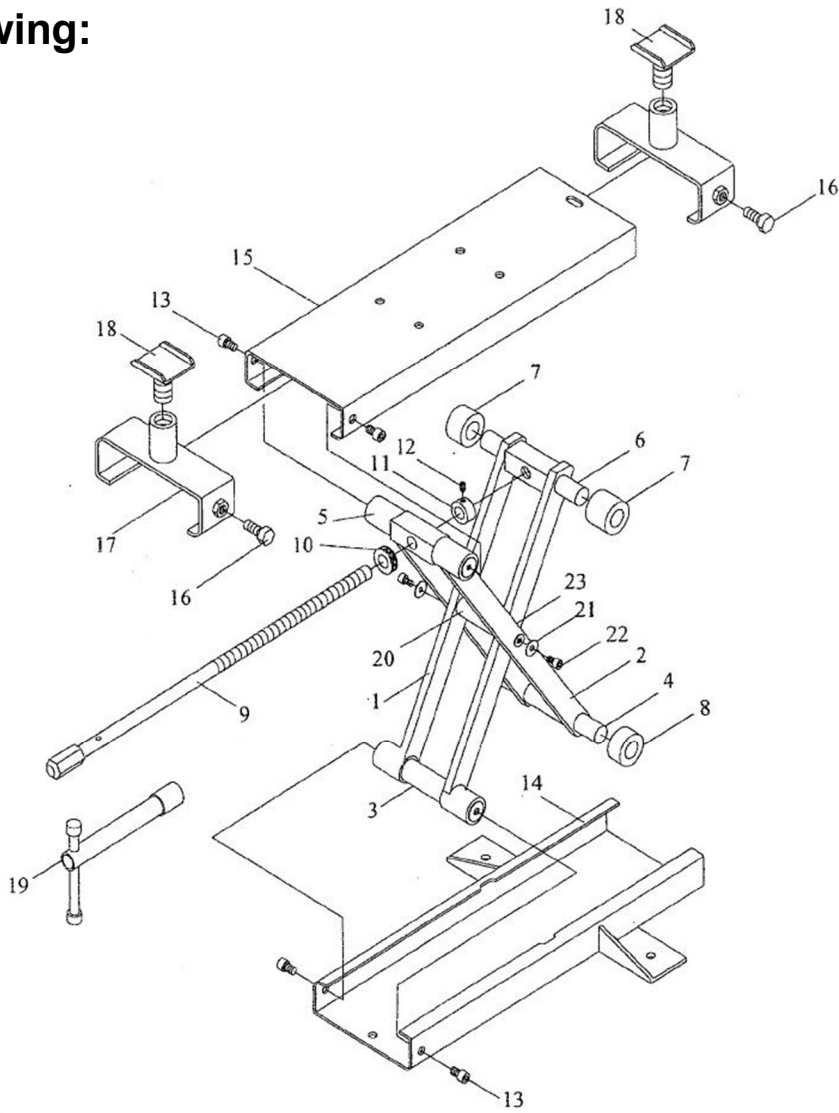
Safety Information:

1. The maximum load is 1,100 lbs. **DO NOT** exceed this rated capacity.
2. Use this lift for second-lift purpose only. **DO NOT** use for any other propose, other than what the Jack is designed for.
3. Keep children and unauthorized persons away from work area.
4. Wear ANSI approved safety goggles / glasses when operating Jack.
5. Only use this Jack on a large, stable, level, dry and not slippery motorcycle lift platform.
NOTE: Ensure to keep platform surface clean, tidy and free from unrelated materials and ensure that there is adequate lighting.
6. Always keep your hands and feet away from working area.
7. **DO NOT** allow untrained persons to operate Jack.
8. **DO NOT** make any modifications to this Jack.
9. **DO NOT** expose the Jack to rain or snow.
10. Ensure that you read, understand and apply the safety instructions and warnings before use.
Failure to heed these instructions may result in property damage and/or personal injury.

Maintenance:

1. When not in use, the Jack must be stored in the lowest position and dry location.
2. Keep the Jack clean and wipe off any oil or grease. Lubricate all moving parts.
3. Before each use check all parts. If any part of the Jack is damaged or suspect, remove the Jack from service and take necessary actions to repair.

Exploded Drawing:



Parts List:

No.	Part No.	Description	Qty.	No.	Part No.	Description	Qty.
1	M-JACK-001	Inner Scissor	1	13	M-JACK-013	Bolt, M8 x 12mm	4
2	M-JACK-002	Outer Scissor	1	14	M-JACK-014	Base Plate	1
3	M-JACK-003	Inner Fixed Spindle	1	15	M-JACK-015	Platform	1
4	M-JACK-004	Outer Spindle	1	16	M-JACK-016	Bolt	2
5	M-JACK-005	Outer Fixed Spindle	1	17	M-JACK-017	Adjustable Saddle	2
6	M-JACK-006	Inner Spindle	1	18	M-JACK-018	Cradle Pad	2
7	M-JACK-007	Inner Frame Roller	2	19	M-JACK-019	Manual Handle	1
8	M-JACK-008	Outer Frame Roller	2	20	M-JACK-020	Pivot Pin	1
9	M-JACK-009	Lifting Screw	1	21	M-JACK-021	Washer, M6	2
10	M-JACK-010	Bearing	1	22	M-JACK-022	Bolt, M6	2
11	M-JACK-011	Fixing Nut	1	23	M-JACK-023	Washer, M6	2
12	M-JACK-012	Lock Nut, M6	1				

LIMITED WARRANTY

Structural Warranty:

The following parts and structural components carry a five year warranty:

Columns	Arms	Uprights	Swivel Pins
Legs	Carriages	Overhead Beam	
Tracks	Cross Rails	Top Rail Beam	

Limited One-Year Warranty:

Tuxedo Distributors, LLC (iDEAL) offers a limited one-year warranty to the original purchaser of Lifts and Wheel Service equipment in the United States and Canada. Tuxedo will replace, without charge, any part found defective in materials or workmanship under normal use, for a period of one year after purchase. The purchaser is responsible for all shipping charges. This warranty does not apply to equipment that has been improperly installed or altered or that has not been operated or maintained according to specifications.

Other Limitations:

This warranty does not cover:

1. Parts needed for normal maintenance
2. Wear parts, including but not limited to cables, slider blocks, chains, rubber pads and pulleys
3. Replacement of lift and tire changer cylinders after the first 30 days. A seal kit and installation instructions will be sent for repairs thereafter.
4. On-site labor

Upon receipt, the customer must visually inspect the equipment for any potential freight damage before signing clear on the shipping receipt. Freight damage is not considered a warranty issue and therefore must be noted for any potential recovery with the shipping company.

The customer is required to notify Tuxedo of any missing parts within 72 hours. Timely notification must be received to be covered under warranty.

Tuxedo will replace any defective part under warranty at no charge as soon as such parts become available from the manufacturer. No guarantee is given as to the immediate availability of replacement parts.

Tuxedo reserves the right to make improvements and/or design changes to its lifts without any obligation to previously sold, assembled or fabricated equipment.

There is no other express warranty on the Tuxedo lifts and this warranty is exclusive of and in lieu of all other warranties, expressed or implied, including all warranties of merchantability and fitness for a particular purpose.

To the fullest extent allowed by law, Tuxedo shall not be liable for loss of use, cost of cover, lost profits, inconvenience, lost time, commercial loss or other incidental or consequential damages.

This Limited Warranty is granted to the original purchaser only and is not transferable or assignable.

Some states do not allow exclusion or limitation of consequential damages or how long an implied warranty lasts, so the above limitations and exclusions may not apply. This warranty gives you specific legal rights and you may have other rights, which may vary from state to state.

8320 E Hwy 67, Alvarado, TX 76009
Ph 817-558-9337 / Fax 817-558-9740