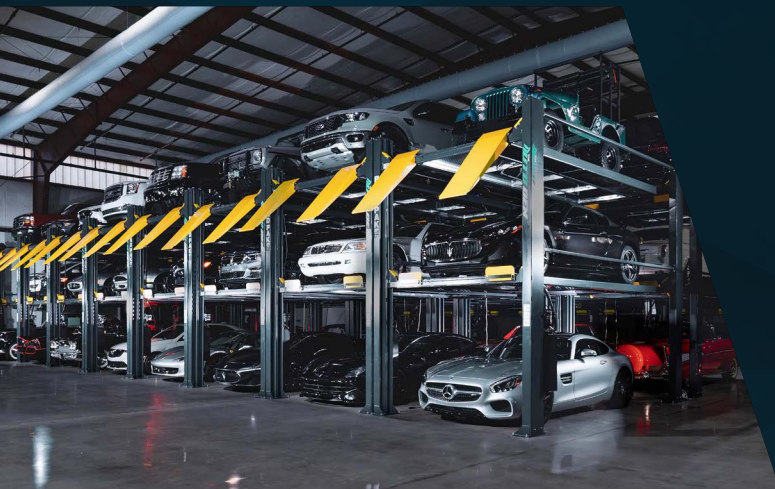


**AMERICA'S
FAVORITE**
SINCE 1965

BendPak®

**MULTI-LEVEL
PARKING LIFT**



Supersize your parking capacity with this revolutionary tri-level parking lift from BendPak! This unique four-post parking lift design parks up to three vehicles in one space, instantly tripling your parking capacity. With an extended length and taller rise compared to the HD-973P, the HD-973PX has even more room for your longest vehicles. **Galvanized** option also available.

Scan QR Code to watch the lift in action!



HD-973P
Standard Length

HD-973PX
Extended Length, High Rise

1-800-253-2363 | www.bendpak.com



HD-973P/X Parking Lift

The Easy Triple

The HD-973P by BendPak is a four-post parking lift that offers a cost-effective way to triple the capacity of typical parking areas. Our patent-pending design can be used indoors or outdoors, and this lift allows the storage of three vehicles in a single parking space. The upper platform accommodates vehicles weighing up to 7,000 lbs., and the lower deck heftily handles up to 9,000 lbs. This is the perfect mechanical parking system for sedans, SUVs and full-size trucks.

While triple-stacking parking lifts are incredibly useful tools, most examples of this type of structure are too tall for many shops and garages. That's why we invented the HD-973P. It is an incredibly unique parking lift that fits in more spaces than any other triple-stacker. The secret to its success: Its specially engineered design lacks cumbersome mechanisms that project high over the top of the lift. This eliminates several feet of lift structure while maintaining a safe, stable and revolutionary design.

Proprietary design

Shortened height columns allow this car lift to fit in low ceiling spaces where others systems can't. Although shorter in stature than most tri-level systems, the lower space still yields a full 70 inches of rise.

Independent Platforms

Typical multi-level car stackers include a bottom platform that is suspended from the upper platform via chains or cables—both platforms move simultaneously. This tethered operation results in limited spacing options between platforms, as the distance between platforms is fixed.

The HD-973P features independently operated lifting platforms, permitting varied vehicle heights and spacing in either upper or lower parking spaces. Because the platforms do not have to move in unison with one another, you can now lower the bottom platform without disrupting the overhead vehicle being stored. This allows operators to control one platform at a time. Practically speaking, if you only want to swap out the second-level vehicle, you don't have to lower the top-level vehicle.

Unmatched Protection

The patent-pending design of the HD-973P features multi-position safety locks that are spaced just four inches apart. This allows almost unlimited parking height arrangements on either the upper or lower decks. Redundant, anti-fall, spring-loaded safety catches immediately halt downward movement of either platform in the unlikely event of cable failure.

Hydraulic Power

A powerful hydraulic cylinder is enclosed underside each platform set and is matched with high-strength lifting cables for simplicity and dependability. The lift can be configured for drive-thru operation, allowing as many as three deep for maximum efficiency and better use of space.

Patent Pending - Applied for in the U.S. and Abroad



HD-973P/X Parking Lift

Smarter Construction Means Less Cost To You

High-rise parking lifts that can fit three vehicles will inevitably cost more than other lifts. There's simply more steel involved, and larger lifts require additional engineering, all of which gets incorporated in the cost. The HD-973P offsets much of that extra cost because its smart design requires less steel. The end result is an incredibly efficient parking lift that actually saves buyers thousands of dollars while upholding the industry's most rigid safety standards.

Weight-Displacing Base

Specially designed base frames distribute the load, which makes this unique lifting system suitable for installation on virtually any residential or commercial concrete floor. It can even be installed on asphalt when equipped with concrete footers. The HD-973P may be configured as a stand-alone lift or combined into rows of multiple units.

Who Should Get This Parking Lift?

Explore the HD-973P if you need to stack three vehicles in a tight space, or if you want the versatility to vary the parking heights of your second and third-level vehicles. The lift's small footprint and exemplary design makes for an ideal lifting solution in both professional shops and home garages.

Enhanced Features

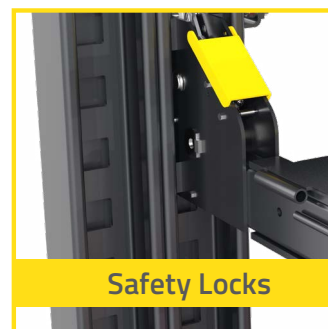
- Perfect for parking, storage and service
- Padded trip bar with limit switch prevents lower vehicle from making contact with upper platform
- Durable powder coat finish
- Perfect for cars, trucks, and SUVs
- Platforms feature full-length aluminum decking
- Powerful hydraulic cylinders
- Heavy-duty 3/8" lifting cable
- Heavy-duty steel construction
- Wide base-plate for maximum stability
- Reliable electric-hydraulic power system
- Runways feature non-skid surface
- Multi-position safety locks in each column
- Automatic safety locks combined with redundant anti-fall devices
- Adjustable lock ladders
- Independent backup slack-cable safety latches

Note: An air supply (minimum 30 psi / 3 CFM) is required for the safety-lock mechanisms to disengage. It is solely the responsibility of the end-user to provide, install and maintain the air supply.

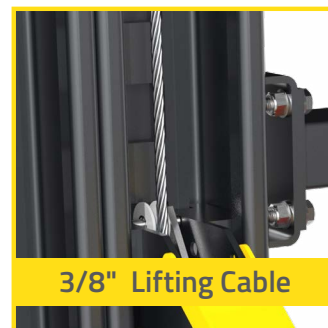
Not all BendPak lift models meet the standards as prescribed by ANSI/ALI ALCTV-2017 or ANSI/UL 201. Consult www.autolift.org for complete listings or contact BendPak via contact@bendpak.com.



Power System



Safety Locks



3/8" Lifting Cable



Full Length Decking



Non-Skid Surface

Features

MULTI-LEVEL PARKING LIFT

The Triple Stacker

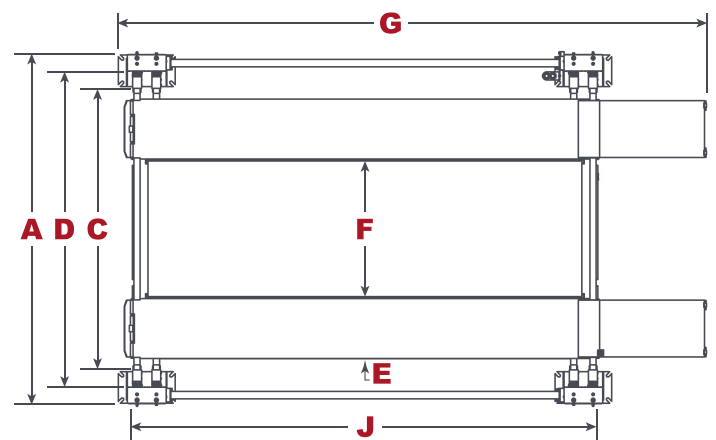
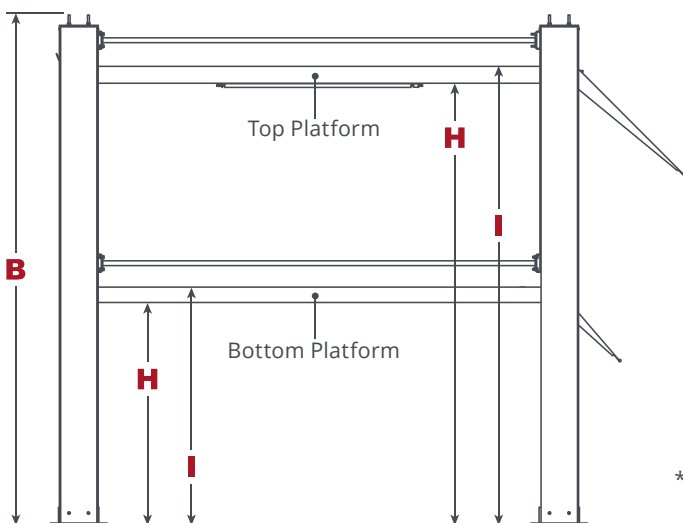
The HD-973P/X comes fully stacked with everything you'd come to expect of a BendPak lift. Heavy-duty steel construction, combined with platforms that can handle 7,000 and 9,000 lbs., gives you a parking lift that's up to the task. Each lift includes safety locks, non-skid runways, and shut-off switches to make sure you'll be as safe as possible when operating your lift. The standard powder coat finish enhances durability, but if you're looking for an even more rugged lift, you'll want to check out our **galvanized** options. These weatherproof lifts can handle extreme conditions, won't rust, and will stand the test of time.



Questions? Contact a BendPak Product Specialist!
sales@bendpak.com | 1-800-253-2363
Monday - Friday, 7AM to 4:30PM PST

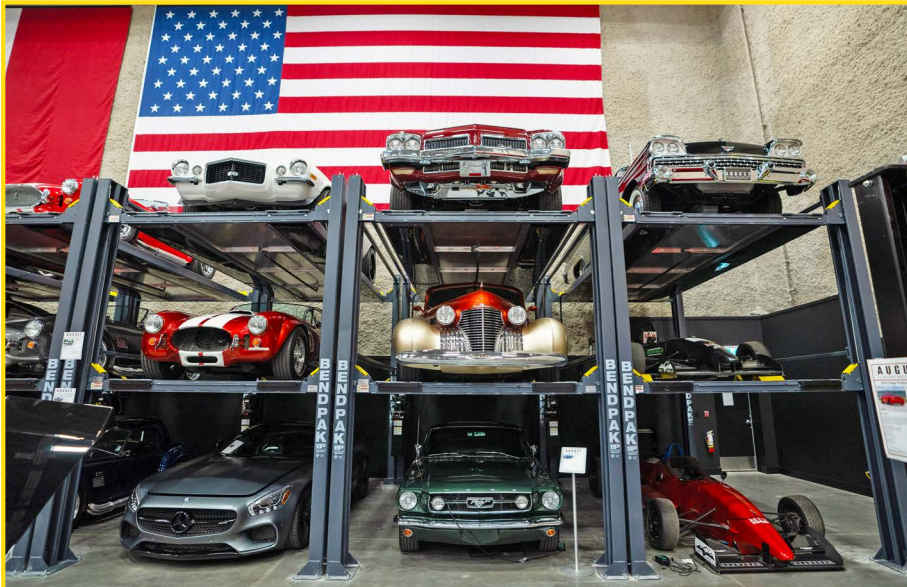
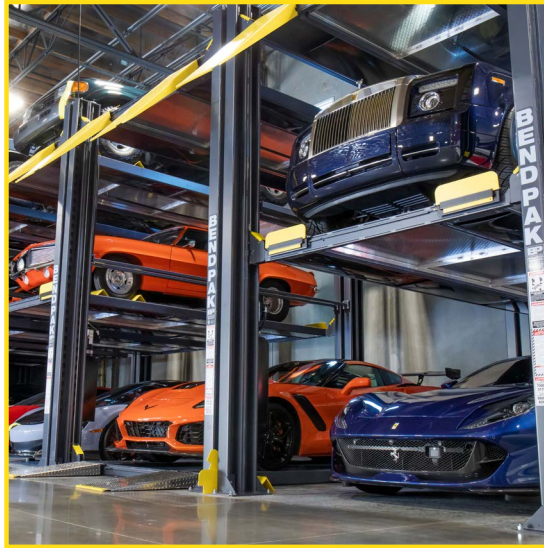
Specifications

Model	HD-973P	HD-973PX
Number of Platforms	2	2
Load Capacity Top Platform	7,000 lbs. / 3,175 kg	7,000 lbs. / 3,175 kg
Load Capacity Bottom Platform	9,000 lbs. / 4,082 kg	9,000 lbs. / 4,082 kg
A - Overall Width	112 in. / 2,849 mm	112 in. / 2,849 mm
B - Height of Columns	161 in. / 4,093 mm	173 in. / 4,398 mm
C - Drive-Thru Clearance	87 in. / 2,201 mm	87 in. / 2,201 mm
D - Distance Between Columns	100 in. / 2,546 mm	100 in. / 2,546 mm
E - Runway Width	19 in. / 482 mm	19 in. / 482 mm
F - Width Between Runways	44 in. / 1,121 mm	44 in. / 1,121 mm
G - Overall Length (Includes Ramps) Top Platform	242 in. / 6,139 mm	252.25 in. / 6,409 mm
G - Overall Length (Includes Ramps) Bottom Platform	200 in. / 5,080 mm	252.25 in. / 6,409 mm
H - Maximum Rise Top Platform	139.5 in. / 3,544 mm	151.5 in. / 3,849 mm
H - Maximum Rise Bottom Platform	70 in. / 1,783 mm	82.25 in. / 2,088 mm
I - Maximum Lifting Height Top Platform	144 in. / 3,667 mm	156.5 in. / 3,972 mm
I - Maximum Lifting Height Bottom Platform	75 in. / 1,906 mm	87.25 in. / 2,211 mm
J - Length of Runways Top Platform	188.5 in. / 4,786 mm	199 in. / 5,056 mm
J - Length of Runways Bottom Platform	176 in. / 4,470 mm	186.75 in. / 4,744 mm
Min. Wheelbase @ Capacity Top Platform*	135 in. / 3,429 mm	140 in. / 3,556 mm
Min. Wheelbase @ Capacity Bottom Platform*	125 in. / 3,175 mm	135 in. / 3,429 mm
Min. Wheelbase @ 75 % Cap. Top Platform*	115 in. / 2,921 mm	120 in. / 3,084 mm
Min. Wheelbase @ 75 % Cap. Bottom Platform*	105 in. / 2,667 mm	115 in. / 2,921 mm
Min. Wheelbase @ 50 % Cap. Top Platform*	95 in. / 2,413 mm	100 in. / 2,540 mm
Min. Wheelbase @ 50 % Cap. Bottom Platform*	85 in. / 2,159 mm	95 in. / 2,413 mm
Locking Positions Top Platform (every 4 in. / 102 mm)	31	34
Locking Positions Bot. Platform (every 4 in. / 102 mm)	13	16
Power Unit / Motor	220 VAC, 60 Hz, 1 Ph	220 VAC, 60 HZ, 1 Ph

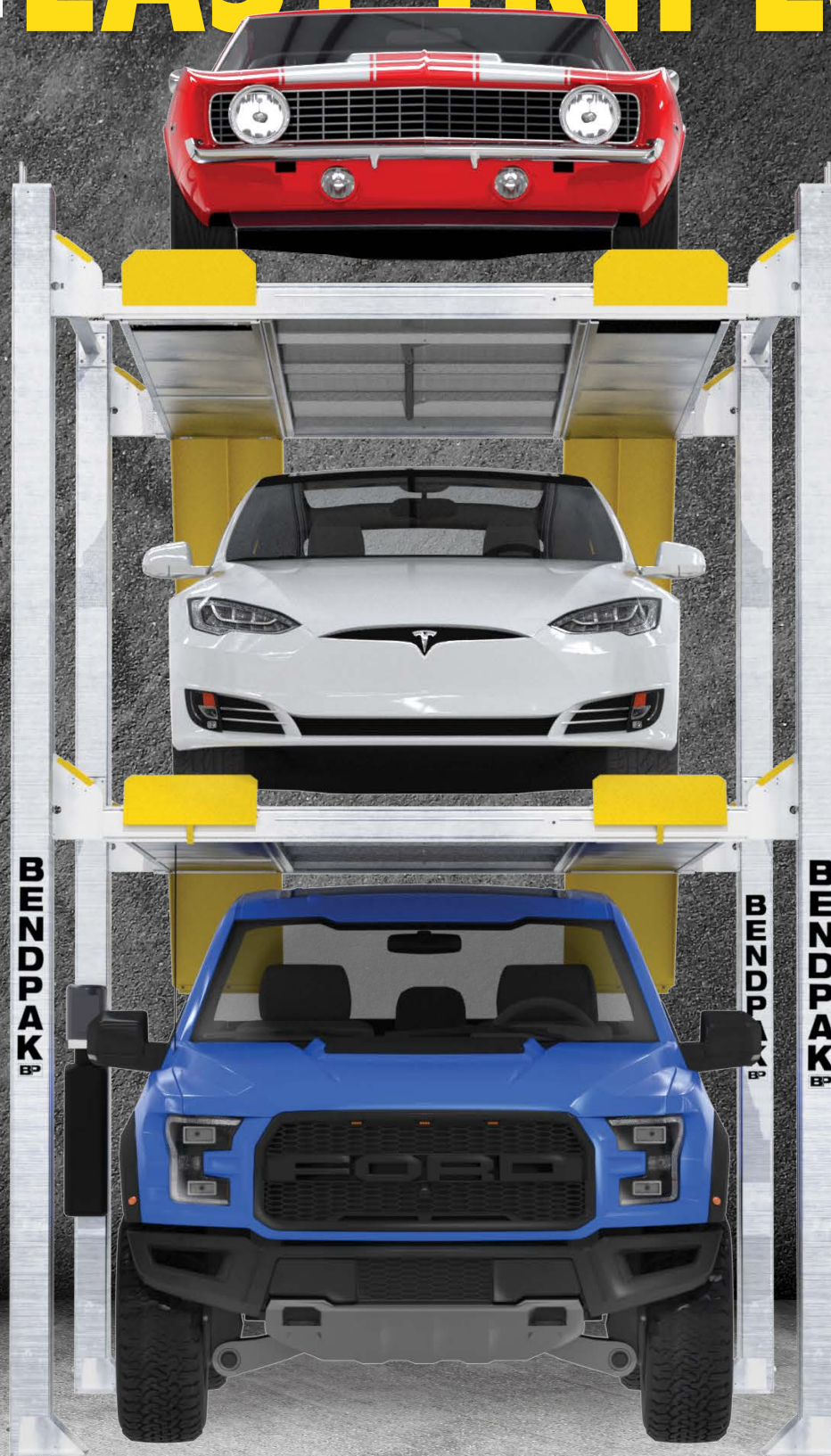


*Concentrated loads placed midway on the runways limit the overall capacity.

HD-973P/X Gallery



THE EASY TRIPL3



EXTREME WEATHER TESTED

Any parking system can look nice on the surface, but true strength and durability is revealed when extreme weather conditions prevail. Raging wind and driving rain. Relentless heat and stifling humidity. Heavy snow and bitter cold. These extreme weather conditions can put the structural integrity and quality of materials to the test. Our galvanized "G" models feature platforms that are hot-dipped in molten zinc to give them the absolute best protection against corrosive environmental conditions and extreme temperatures.