

**B**endPak's newest **PL-12000DP** and **PL-12000DPS** parking lifts are revolutionary vehicle storage solutions for those challenged with owning more vehicles than parking spaces to store them. They can greatly expand the number of cars in a facility without expanding building space. As the costs of commercial and residential development increase, gaining additional parking spaces in the same usable space provides instant value. These mechanical parking systems are designed to increase parking density and cut costs over traditional parking methods.

### TWO INDEPENDENT PLATFORMS

Because each platform operates independently, one vehicle can be lowered while the other side remains still. This eliminates the need to "shuffle" vehicles from the half of the lift where vehicles are not being accessed.



### STILL THE BEST

For over 50-years, our experience as the world's premier parking lift manufacturer enables us to deliver optimal solutions for our clients, from the initial problem, design consultation, then ultimately through fabrication, installation, and support. We are the leading turnkey provider for all your parking lift needs, whether for commercial garages, or residential applications.

The cutting-edge PL-12000 series lifts are a reflection of our continuing commitment to design and deliver innovative vehicle storage solutions that offer only the highest value to our customers. The space-saving design means you can now stack one vehicle above another in the same space typically required for a single parking stall. With the strength to handle loads up to 6,000 pounds and a footprint considerably smaller than other mechanical parking systems, they deliver more parking capability space per

### RELIABLE AND SAFE

A dependable hydraulic drive system provides reliable power that requires very little service and maintenance over time. Tandem drive cylinders, combined with an intelligent hydraulic circuit, provide precise, equalized lifting of the platforms. Our promise to deliver a safe parking lift is the most important commitment we make in order to earn your trust and ensure your absolute satisfaction. From our multi-point safety lock systems and easy to understand controls, operators will be pleasantly surprised at how easy they are to safely operate.

Our commitment to quality is unsurpassed. Our dedication to taking your parking challenges to the next level extends well beyond the physical reach of our products. Our advanced yet simple design enables our lifts to perform effortlessly and tirelessly, year after year, with very little maintenance or service required. After all, we can't expect you to be a parking lift expert—that's our job. Featuring rugged, welded steel construction, very few moving parts and a simple fluid power system, the hydro-mechanical PL-12000 series offer the most economical and dependable method of lifting to deliver you many years of trouble free service.

### PERFORMANCE GUARANTEED

We're so sure that our lifts will out-perform all others; we're backing that promise with a **full five-year warranty**. The best warranty in the business gives you more than just peace of mind; it's proof that we took a little extra care building your lift and every precaution was taken to maintain the highest degree of quality, dependability and reliability. For full details visit [www.bendpak.com/support/warranty](http://www.bendpak.com/support/warranty).



# BendPak®

**AMERICA'S FAVORITE**  
SINCE 1965

## DOUBLE WIDE, INDEPENDENT PARKING SYSTEM FOR COMMERCIAL OR RESIDENTIAL



**PL-1200DP**

*Tall Rise, Extended Length*

**PL-1200DPS**

*Standard Rise, Standard Length*

PATENT PENDING – The PL-12000 series including all variations are protected under patent pending status.

1-800-253-2363 | [www.bendpak.com](http://www.bendpak.com)

**BendPak®**

© 2022 BendPak Inc. All rights reserved. Patent Pending.

1-800-253-2363 | [www.bendpak.com](http://www.bendpak.com)

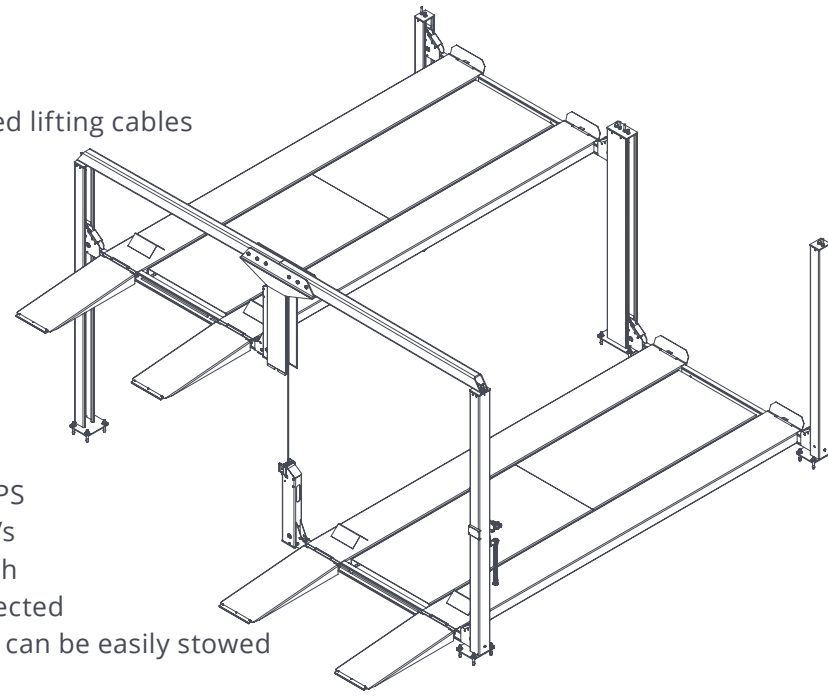
© 2022 BendPak Inc. BendPak is a registered trademark.



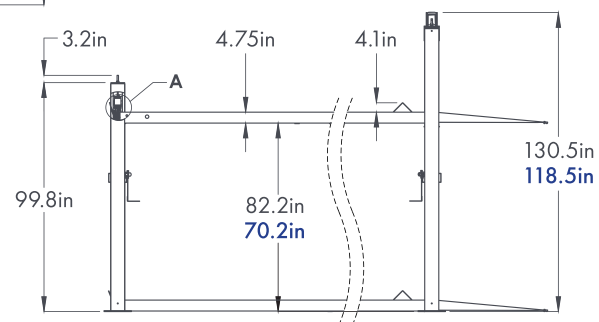
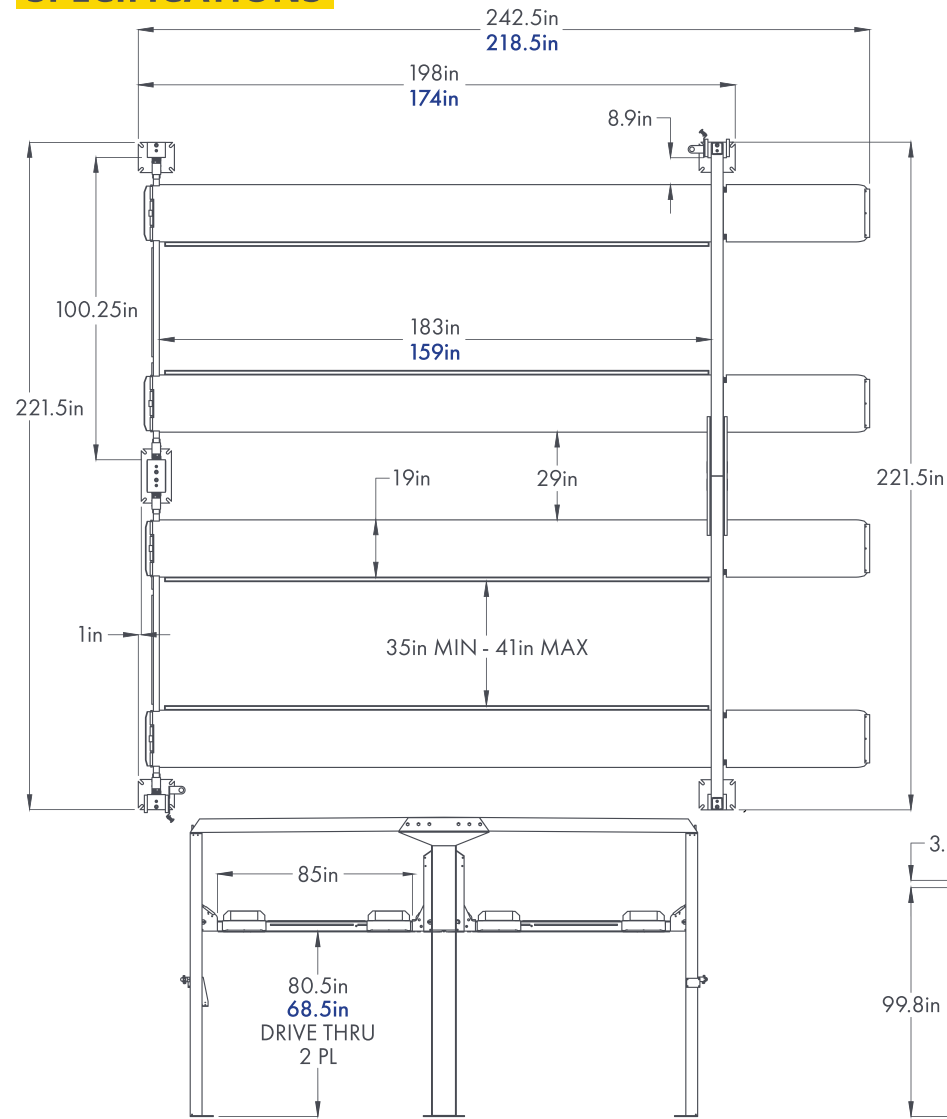


## FEATURES

- Dual hydraulic cylinders with heavy-duty galvanized lifting cables
- Multiple locks for multi-height parked settings
- Wide baseplates for maximum stability
- Dual electric-hydraulic power units
- Heavy-duty steel construction
- Front and rear wheel chocks
- 6,000 lb. capacity per side
- Built-in wheel stops
- High-speed lifting
- Tall rise, extended length model - PL-12000DP
- Standard rise, standard length model - PL-12000DPS
- Perfect for cars, light trucks, motorcycles, and ATVs
- Superstructure features durable powder-coat finish
- Full-width platforms to keep bottom vehicles protected
- Lightweight, extended aluminum approach ramps can be easily stowed



## SPECIFICATIONS



Images courtesy of Kurt Busch

Model	PL-12000DP	PL-12000DPS
Number of Platforms	2	2
Load Capacity per Platform	6,000 lbs. / 2,722 kg	6,000 / 2,722 kg
Total Width	221.5" / 5,624 mm	221.5" / 5,624 mm
Outside Length	198" / 5,028 mm	174" / 4,418 mm
Total Length	242.5" / 6,160 mm	218.5" / 5,550 mm
Total Height	130.5" / 3,314 mm	118.5" / 3,009 mm
Min. Runway Height	4.75" / 121 mm	4.75" / 121 mm
Maximum Rise	82.2" / 2,088 mm	70.2" / 1,784 mm
Width Between Posts	211" / 5,362 mm	211" / 5,362 mm
Width Between Short & Double Posts	100.25" / 2,546 mm	100.25" / 2,546 mm
Width Between Platforms	29" / 739 mm	29" / 739mm
Width Between Runways	35" or 41" / 887 or 1,045 mm	35" or 41" / 887 or 1,045 mm
Runway Length	183" / 4,649 mm	159" / 4,039 mm
Runway Width	85" / 2,161 mm	85" / 2,161 mm
Drive Thru Height	80.5" / 2,047 mm	68.5" / 1,742 mm
Outside Edge of Runways	76 or 82" / 1,930 or 2,083 mm	76 or 82" / 1,930 or 2,083 mm
Safety Lock Positions*	6	6
Lifting Time	≈45 Seconds	≈45 Seconds
Power Unit / Motor**	220 VAC, 50/60 Hz, 1 Ph	220 VAC, 50/60 HZ, 1 Ph

\*Requires minimum 5CFM, 40 PSI air source. \*\*Other voltages, including 110V option are available upon request. All specifications subject to revision.