

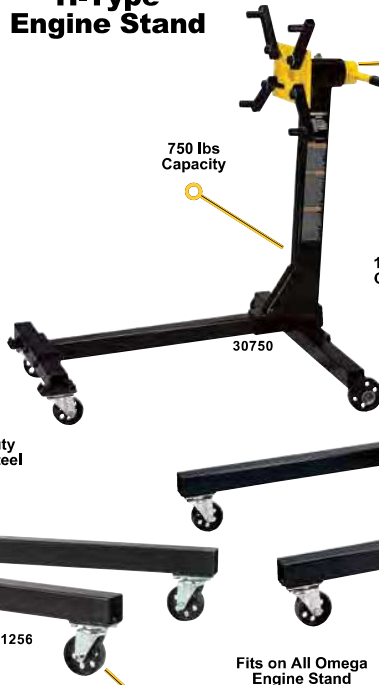
ENGINE STANDS

ENGINE CRANE/ ACCESSORIES

Foldable Rotating Head Engine Stand



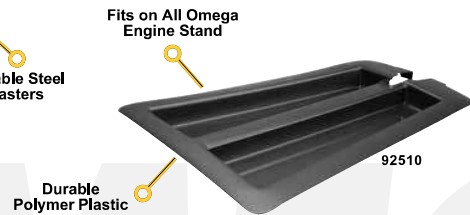
H-Type Engine Stand



U-Type Engine Stand

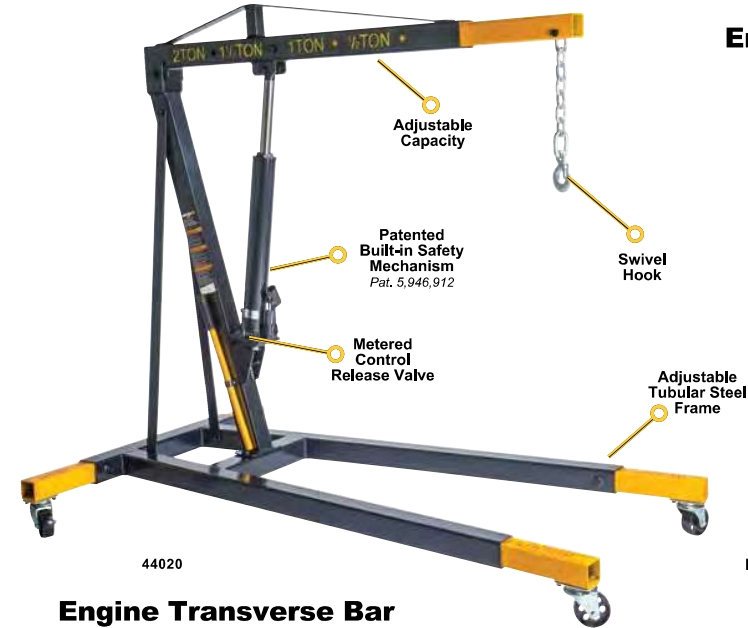


Oil Drain Pan



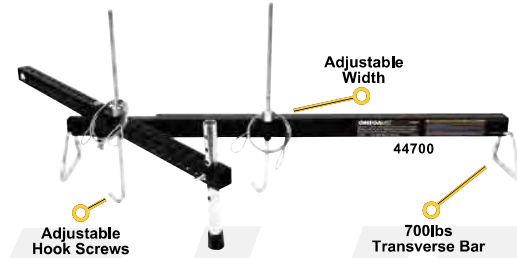
Model	Description	Base Size (L x W x H)			Head Plate Dimensions (L x H x Thickness)			Wheel Dia	Weight
30750	750 lbs Engine Stand (H-Type)	31.50"	31.50"	36.75"	10.00"	6.00"	0.38"	3.00"	55.88 lbs
31250	1,250 lbs Engine Stand (U-Type)	33.38"	33.83"	42.75"	7.50" - 10.50"	6.50"	0.63"	3.50"	86.46 lbs
31256*	1,250 lbs Rotating Head Engine Stand	41.75"	23.63"	42.75"	7.50" - 10.50"	6.50"	0.63"	3.50"	114.40 lbs
92510	Oil Drain Pan w/ Strap Kit	Can Attach to All Models of Engine Stands (30750, 31250, or 31256)							

* 31256 - 1250 lbs Rotating Head Engine Stand folds up to save on storage space



Engine Crane

Engine Transverse Bar



Load Leveler



Model	Description	Capacity	Hook Height		Base Length	Base Width		Height	Wheel Dia	Weight
			Min	Max		Front	Rear			
44020	Engine Crane	2 Ton	18.13"	69.13"	61.75"	31.50"	27.38"	54.00"	3.50"	266.00 lbs
		1.5 Ton	13.38"	75.00"	-	-				
		1 Ton	9.25"	80.50"	94.50"	39.00"	47.38"			
44700	Engine Transverse Bar	700 lbs	Hook Thread Length: 12.50"		38.00"	61.00"	-	-	26.40 lbs	
90153	Load Leveler	1,500 lbs	10.00"	12.50"	18.00"	7.63"		-	-	13.42 lbs

* Excluding: 44700 and 90153

