



PLEASE READ THE ENTIRE CONTENTS OF THIS MANUAL PRIOR TO INSTALLATION AND OPERATION. BY PROCEEDING YOU AGREE THAT YOU FULLY UNDERSTAND AND COMPREHEND THE FULL CONTENTS OF THIS MANUAL. FORWARD THIS MANUAL TO ALL OPERATORS. FAILURE TO OPERATE THIS EQUIPMENT AS DIRECTED MAY CAUSE INJURY OR DEATH.

Rev. A2 – October 2020

P/N 5900185

# INSTALLATION AND OPERATION MANUAL

## Aluminium Quick Jack Model: RFJ-4000AL



Keep this operation manual near the machine at all times. Make sure that ALL USERS read this manual .

### SHIPPING DAMAGE CLAIMS

When this equipment is shipped, title passes to the purchaser upon receipt from the carrier. Consequently, claims for the material damaged in shipment must be made by the purchaser against the transportation company at the time shipment is received.

### BE SAFE

Ranger™ Floor Jacks are designed and built with safety in mind. However, proper training and thoughtful operation on the part of the operator can increase your overall safety. DO NOT operate or repair this equipment without reading this manual and the important safety instructions shown inside.



1645 Lemonwood Dr.  
Santa Paula, CA. 93060, USA  
Tel: 1-805-933-9970  
Toll Free: 1-800-253-2363  
Fax: 1-805-933-9160  
[www.rangerproducts.com](http://www.rangerproducts.com)

## WARRANTY POLICY

Ranger Products™ are backed by over 40 years of manufacturing experience. Every Floor Jack bearing the Ranger™ name is sold with the following warranty.

- Each Ranger Product™ is warranted to be free from defects in workmanship and material for a period of one year from the date of shipment provided that a written claim for such defect is made within that time.
- This warranty does not cover damage or defects caused by carelessness of the operator, misuse, abuse or abnormal use which in any way impairs the proper functioning of the equipment or by the use or addition of parts not manufactured by Ranger Products™ or its suppliers.

THIS WARRANTY IS EXPRESSLY MADE IN LIEU OF ANY AND ALL OTHER WARRANTIES EXPRESSED OR IMPLIED INCLUDING THE WARRANTIES OF MERCHANTABILITY AND FITNESS FOR A PARTICULAR PURPOSE.

If your Ranger Products™ machine is not functioning properly, call your Ranger Products™ dealer immediately. On some occasions, an independent contractor may be hired to do the repairs. Within the warranty period, a customer should not hire his own contractor unless it is authorized in writing by Ranger Products™.

If it is necessary to return equipment for repairs, your dealer will so advise you. When returning equipment for repairs, see that machines are properly crated and protected, and prepay transportation.

Defective parts replaced at no charge must be returned to your dealer or Ranger Products™ within 60 days of the date that the replacement parts are shipped; otherwise, you must pay for the replacement parts at the current selling price.

## LIMITED RETURNS / EXCHANGE POLICY

BendPak / Ranger prides itself on a tradition of outstanding customer care and support. Our devoted team of account representatives understands that our customers are the hallmark of our enduring partnerships.

Our limited return and exchange policy allows you to return defective or incorrect merchandise for a full or partial credit of your order. All returned merchandise requires authorization. Contact our service representatives first for shipping instructions and to obtain a return authorization number. Credit will not be issued unless authorization to return merchandise has been received.

For all merchandise returned to BendPak / Ranger for reasons other than warranty, a 20% restocking fee and round-trip shipping costs will be deducted from the credit refund. All returned items must be in their original box or crating and must include all packing material, manuals and all accessories. At our discretion, a restocking fee may be charged if your product is opened or is not returned in its original condition, box, or is missing packing material, manuals, or any accessories.

## NO RETURNS, CREDITS OR EXCHANGES FOR:

- Returned items that failed due to an accident, purchaser's abuse, neglect or failure to operate in accordance with instructions provided in the owner's manual(s) supplied.
- Returned items that failed due to incorrect voltage or improper wiring.
- Returned items that failed due to rain, excessive humidity, corrosive environments or other contaminants.
- Any item damaged in shipment or any product failure caused by installing or operating product under conditions not in accordance with installation and operation guidelines or damaged by contact with tools or surroundings.
- Returned items with cosmetic defects that do not interfere with product functionality.
- Returned items with no accompanying RMA number and completed RMA form.
- Returned items that are incomplete or defaced.
- Any consumable or standard wear items.
- Returned items with a different serial number from what was authorized for return.
- Returned items that do not include your original receipt, invoice or sales order.
- Returned items that were special ordered or custom configured.
- Freight damaged items. If your shipment arrives damaged you must note the damage on the carrier's delivery record in accordance with the carrier's policy, save the merchandise in the original box and packing it arrived in, and arrange for a carrier inspection of damaged merchandise.

## HOW TO RETURN PRODUCTS

Please contact BendPak / Ranger within 14 days of your original shipment or warranty exchange for a Return Merchandise Authorization (RMA) number before returning your product to BendPak / Ranger.

For faster service, please have the following information on hand when calling for an RMA number: customer name, order or invoice number, item (SKU) number and serial number (if exists) and the reason for the return. In addition to the RMA number, a completed RMA form must accompany each shipment of returned merchandise.

No returns of any type will be accepted without an RMA number and completed RMA form.

Returned items must be shipped via ground service only.

Do not return items by air unless authorized in writing.

For warranty related exchanges and/or returns, a BendPak customer service representative will work with you to arrange to have the item(s) returned via a BendPak preferred carrier freight collect.

Products returned C.O.D. will be refused. Unauthorized freight collect charges will be denied.

Once an item arrives at BendPak / Ranger, we will issue a full or partial credit, exchange or refund within 15 days.

Additional time may be required depending on the nature of the return.

Returns must be made within 15 days of the Return Authorization being provided. Any incurred costs associated with damaged merchandise will be deducted from credits owed. BendPak / Ranger is not responsible for merchandise damaged in return shipment. We strongly recommend you package the items carefully to ensure safe passage. For non-warranty items, we suggest you fully insure your return shipment in case of loss or damage.

## IMPORTANT SAFETY TIPS



**ALWAYS MAINTAIN A CLEAN WORK AREA.  
KEEP VISITORS AND ESPECIALLY  
CHILDREN AWAY FROM WORK AREA.**

**THIS FLOOR JACK IS TO BE OPERATED BY  
PROPERLY TRAINED PERSONNEL ONLY.  
OPERATION BY UNTRAINED  
PERSONNEL MAY RESULT IN INJURY  
AND /OR PROPERTY DAMAGE.**

### **For Parts Or Service Contact:**

**Ranger Products  
1645 Lemonwood Dr.  
Santa Paula, CA. 93060  
Tel: 1-805-933-9970  
Toll Free: 1-800-253-2363  
Fax: 1-805-933-9160  
[www.rangerproducts.com](http://www.rangerproducts.com)**

 **WARNING**

**THIS OPERATING MANUAL CONTAINS IMPORTANT DETAILS CONCERNING THE SAFE OPERATION OF THIS FLOOR JACK. THE USER MUST READ AND UNDERSTAND THESE DETAILS BEFORE ANY USE OF THE FLOOR JACK. THIS MANUAL MUST BE RETAINED FOR FUTURE REFERENCE.**

**OWNER/OPERATOR RESPONSIBILITY:**

The owner and/or operator shall study the product instructions and retain them for future reference.

The owner and/or operator shall have an understanding of the product operating instructions and warnings before operating the jack.

Warning information shall be emphasized and understood. If the operator is not fluent in English, the product instructions and warnings shall be read to and discussed with the operator in the operator's native language by the purchaser/ owner or his designee, making sure that the operator comprehends its contents.

 **CAUTION**

**INSPECTION**

Visual inspection should be made before each use of the jack. This inspection should check for abnormal conditions such as cracked welds, leaks, and damaged, loose or missing parts.

Any jack that appears to be damaged in any way, is found to be worn or operated abnormally, must be removed from service immediately.

Any jack that operates abnormally shall be removed from service until repaired by a qualified repair service center.

If the jack is accidentally subjected to an abnormal load or shock, it must be taken out of service immediately and be inspected by a qualified repair or service center.

It is recommended that an annual inspection is performed on the jack and that any damaged or worn parts, decals or warning labels be replaced with manufacturer's specified parts.

**ALTERATIONS**

 **WARNING**

Because of potential hazards associated with this type of equipment, no alterations shall be made to the product.

FOR YOUR SAFETY AND TO PREVENT INJURY:

Use Service Jack for lifting purposes ONLY.  
Always support vehicle with jack stands.

 **WARNING**

**WARNING!**

**THIS IS A LIFTING DEVICE ONLY. DO NOT MOVE OR DOLLY THE VEHICLE WHILE ON THE JACK. IMMEDIATELY AFTER LIFTING, SUPPORT THE VEHICLE WITH APPROPRIATE MEANS.**

**DO NOT EXCEED RATED CAPACITY. OVERLOADING CAN CAUSE DAMAGE TO OR FAILURE OF THE JACK.**

**LIFT ONLY ON AREAS OF THE VEHICLE AS SPECIFIED BY THE VEHICLE MANUFACTURER.**

**KEEP HANDS AND BODY CLEAR OF ALL PINCH POINTS.**

**CENTER LOAD ON SADDLE PRIOR TO LIFTING. OFF-CENTER LOADS MAY CAUSE DAMAGE TO JACK, LOSS OF LOAD, PROPERTY DAMAGE, PERSONAL OR FATAL INJURY.**

**THIS JACK IS DESIGNED FOR USE ONLY ON HARD LEVEL SURFACES CAPABLE OF SUSTAINING THE LOAD. USE ON OTHER THAN HARD LEVEL SURFACES CAN RESULT IN JACK INSTABILITY AND POSSIBLE LOSS OF LOAD.**

**NO ALTERATIONS TO THE JACK SHALL BE MADE.**

**READ, STUDY AND UNDERSTAND THE OPERATING MANUAL PACKED WITH THIS JACK BEFORE OPERATING.**

**FAILURE TO HEED THESE WARNINGS MAY RESULT IN LOSS OF LOAD, DAMAGE TO JACK, AND/OR FAILURE RESULTING IN PROPERTY DAMAGE, PERSONAL OR FATAL INJURY.**

## ASSEMBLY INSTRUCTIONS

1. Assemble Upper and Lower Handle, insert into Handle Socket and tighten Bolt.

## OPERATING INSTRUCTIONS

### BEFORE USE:

1. Air may become trapped in the hydraulic system during transit. To purge air:
2. Open release valve by twisting Handle counter clockwise.
3. Pump Handle rapidly 6-8 full strokes. This will expel air that may have entered oil passages during transit.
4. Close release valve by twisting Handle clockwise and pump handle.
5. If lift arm is raised, jack is ready for use. If not, repeat this procedure.



**BEFORE ATTEMPTING TO RAISE ANY VEHICLE, CHECK VEHICLE SERVICE MANUAL FOR RECOMMENDED LIFTING POINTS.**

### OPERATION:

1. **To Raise Load:** Close release valve tightly by twisting Handle clockwise. **DO NOT OVERTIGHTEN.** Position jack under load so that saddle will contact load firmly and load is centered so it cannot slip. Operate jack handle until saddle approaches the load. Once again, check to see that saddle is correctly positioned. Raise load to desired height. Place jack stands of appropriate capacity under the vehicle.



**DO NOT CRAWL UNDER VEHICLE WHILE LIFTING VEHICLE OR PLACING OR REMOVING JACK STANDS!**

Place jack stands at vehicle manufacturer's recommended lift areas that provide stable support for the raised Vehicle. Once jack stands are positioned, open the release valve **VERY SLOWLY** (by twisting the Handle counter clockwise.)

Lower the load to rest on the jack stands. Then, make sure that the release valve on the jack is closed tightly (twist the Handle clockwise).

2. **To lower load:** Re-check to make sure release valve is tightly closed (twist the Handle clockwise). Then, operate the jack handle until the load is raised enough to remove the jack stands.

### DANGER!



**DO NOT CRAWL UNDER VEHICLE WHILE LIFTING VEHICLE OR REMOVING THE JACK STANDS!**

Once jack stands are removed, open release valve very slowly to lower the vehicle (twist the Handle counter clockwise). Lower jack completely so that the vehicle is securely resting on the ground and that jack no longer makes contact with vehicle.

### CAUTION!



Keep hands or feet away from the hinge mechanism of the jack.

### MAINTENANCE

When adding or replacing hydraulic fluid, always use a quality hydraulic fluid. **DO NOT** use brake fluid, alcohol, detergent motor oil, dirty oil or any fluid other than quality hydraulic fluid. Improper fluids can cause internal damage to the jack and improper or unsafe operation.

### ADDING HYDRAULIC FLUID

With the saddle fully lowered and the jack on level ground, remove the filler screw. Hydraulic fluid should be filled to the level of the filler screw hole. If the level is below this hole, add hydraulic fluid as needed.

### LUBRICATION

All moving joints require lubrication often. Lightly grease saddle post and saddle bottom. Remove handle and grease the lower end of handle where it rotates in the handle socket. Oil all lift arm linkages, front wheels and rear casters.

## FEATURES

- |   |   |
|---|---|
| <ul style="list-style-type: none"> <li>• Lightweight for easy portability</li> <li>• Aircraft grade billet aluminum design</li> <li>• Low profile single piece front roller</li> <li>• Oversized knurled aluminum handle</li> </ul> | <ul style="list-style-type: none"> <li>• Roller-cam plungers and u-joint release</li> <li>• Alloy-plated ram</li> <li>• Double-sealed hydraulics for longer service life</li> <li>• Built-in safety overload valve</li> </ul> |
|---|---|

## SPECIFICATIONS

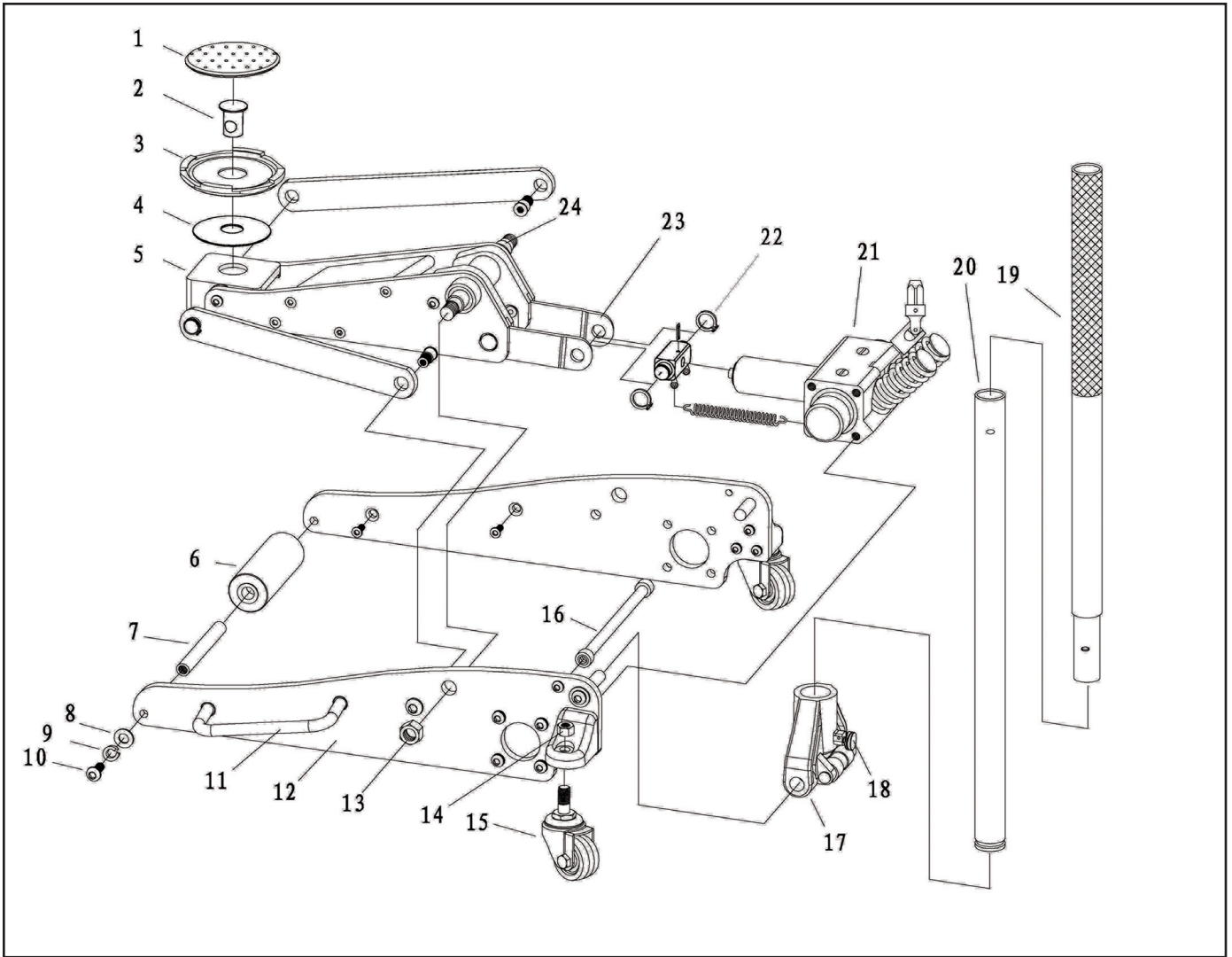
<b>Maximum Capacity</b>	<b>4,000 lbs (1,814 kg.)</b>
<b>Maximum Saddle Height</b>	<b>17.75" (451mm)</b>
<b>Minimum Saddle Height</b>	<b>3.5" (89 mm)</b>
<b>Overall width</b>	<b>11.75" (298 mm)</b>
<b>Chassis Length</b>	<b>24" (610 mm)</b>

## TROUBLESHOOTING

<b>PROBLEM</b>	<b>ACTION</b>
1. Unit will not lift load	Purge air from hydraulic system by following procedure under OPERATING INSTRUCTIONS.
2. Unit will not sustain load or feels "spongy" under load.	Purge air from hydraulic system as above.
3. Unit will not lift to full height.	Check the oil level and verify it is not too low.
4. Unit will not lower completely.	Check the oil level and verify it is not too high.
5. Handle tends to raise up while the unit is under load.	Pump the handle rapidly several times to push oil past ball valves in pump.
6. Unit still does not operate.	Contact Parts & Warranty Department.



# PARTS BREAKDOWN



Item #	Description	Qty.	Item #	Description	Qty.
1	Rubber Pad	1	13	M16 Nylon Lock Nut	2
2	Saddle Pin	1	14	M12 Nylon Lock Nut	2
3	Saddle	1	15	Rear Caster Assembly	2
4	Saddle Washer	1	16	Tie Rod	1
5	Lift Arm Assembly	1	17	Handle Base	1
6	Front Wheel	1	18	Handle Set Screw	1
7	Front Axle	1	19	Upper Handle	1
8	M10 Flat Washer	4	20	Lower Handle	1
9	M10 Lock Washer	12	21	Hydraulic Pump Assembly	1
10	M10 x 20 Hex Head Bolt	2	22	M19 Retaining Ring	2
11	Carrying Handle	2	23	Linkage Plate	2
12	Side Plate	2	24	Lift Arm Pivot Pin	1



1645 Lemonwood Dr. ● Santa Paula, CA. 93060, USA  
Toll Free: 1(800) 253-2363

**FOR TECHNICAL SUPPORT**  
1-(800) 253-2363 Ext. 196  
**TO ORDER PARTS**  
1-(800) 253-2363 Ext. 191