



RWA3D1090

P
A
R
T
S

B
R
E
A
K
D
O
W
N



COMPOSITION

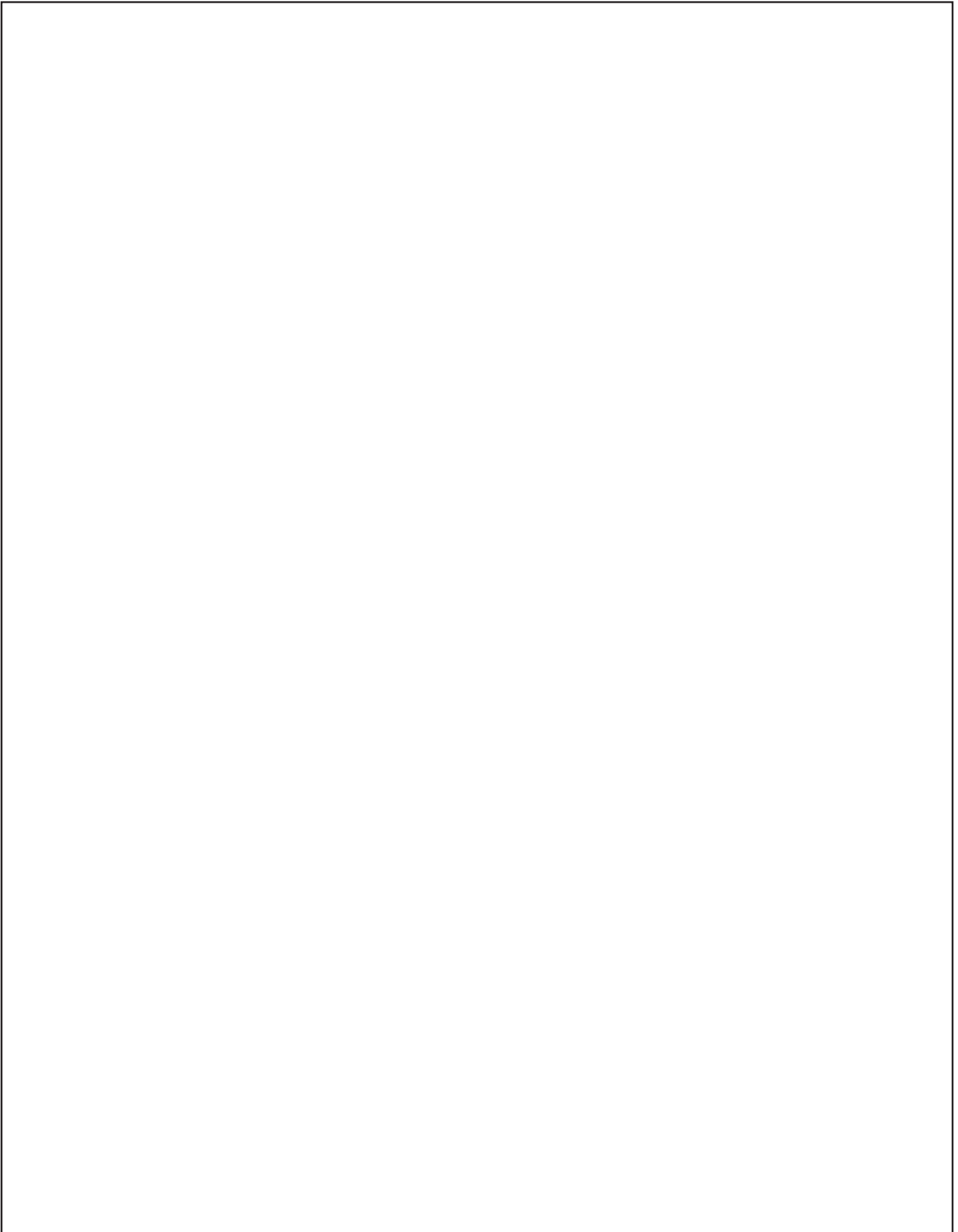
15 pages (including cover pages)

13 numbered pages

- For any further information please contact your local dealer. Contact info are on the last page.

IMPORTANT

Any damage caused by failure to follow the instructions in this manual or improper machine use shall relieve the manufacturer of all liability.



HOW TO GET THE SPARE PARTS

To receive desired spare parts it's necessary to specify:

- Model of the machine
- Year of construction
- Serial number
- Number and date of review
- Number of the table
- Code of the desired spare parts



THE SERIAL NUMBER IS ENGRAVED ON THE HEAD

ADHESIVE LABEL SHOWING THE SERIAL NUMBER OF WHEEL ALIGNER.
THE LABEL IS LOCATED ON THE REAR OF THE CONSOLE.



THE SERIAL NUMBER IS A VITAL DATA WHICH MUST ALWAYS BE MENTIONED TO ORDER SPARE PARTS.

<i>Unit</i>	<i>Description</i>
TABLE - 01	- CONSOLE R1090
TABLE - 02	- HEAD UNIT Code 202590000
TABLE - 03	- RIGHT, LEFT and CENTRAL FIXED CAMERAS
TABLE - 04	- BOARD'S CABLES
TABLE - 05	- TARGET
TABLE - 06	- WHEEL ALIGNER ACCESSORIES



TABLE - 01



TABLE - 02



TABLE - 03

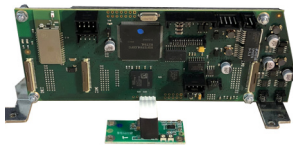


TABLE - 04



TABLE - 05



TABLE - 06



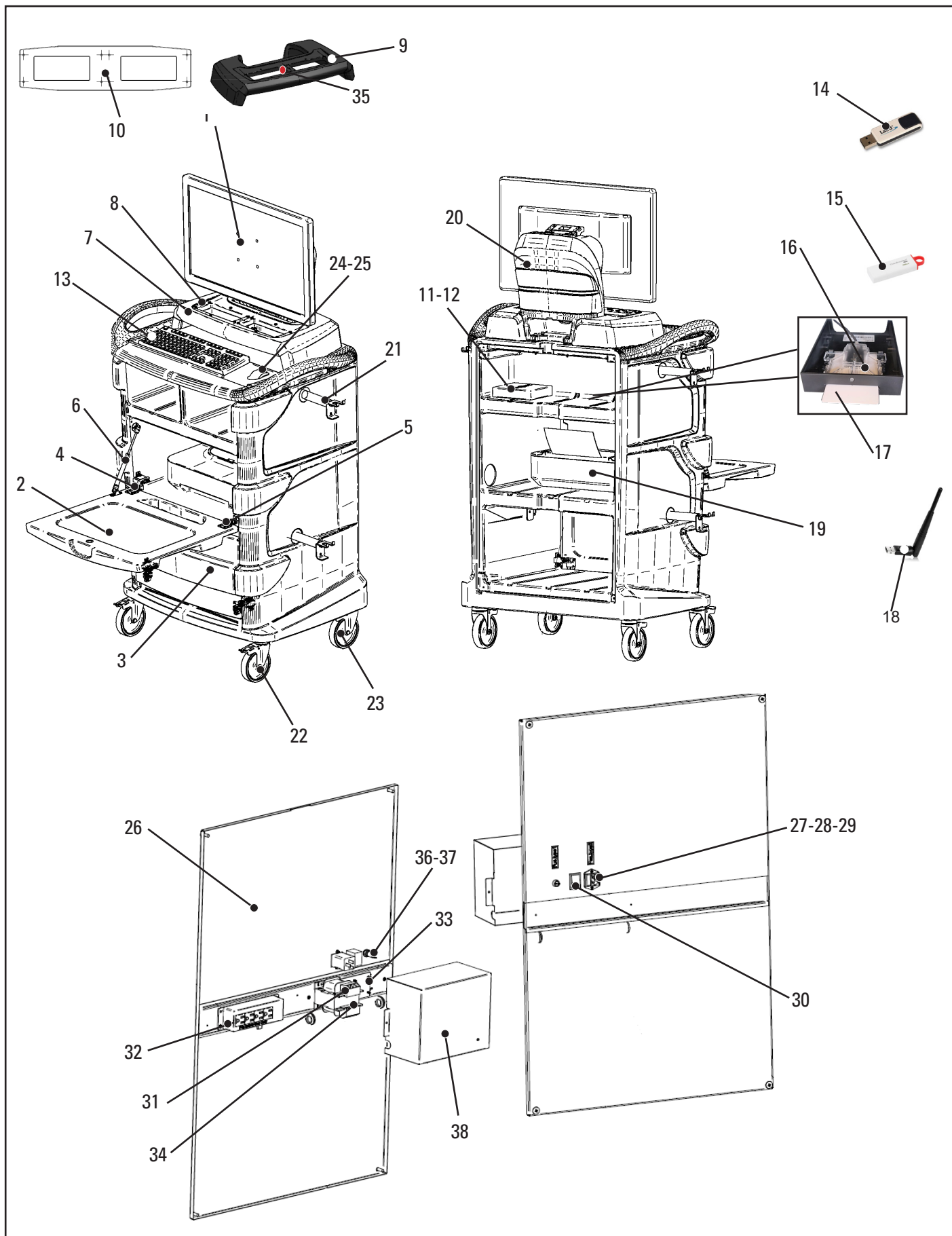


TABLE - 01

CONSOLE R1090

Number	Code	Description	Specifications
1	VS20771	32" MONITOR	
2	VS202500910	UPPER FRONT PANEL	
3	VS202500820	LOWER FRONT PANEL	
4	VS20727	LEFT HINGE	
5	VS20728	RIGHT HINGE	
6	VS20730	GAS SPRING	
7	VS202590520	BATTERY CHARGER ASSEMBLY	
8	VS20734	BATTERY CHARGER CABLE WITH CONTACTS	
9	VS202500830	BATTERY CHARGER COVER	
10	VS202500710	BATTERY CHARGER PROTECTION	
11	VS20716	PC FEC WITHOUT WINDOWS LICENCE	20722 (PC + USB KEY for recovery)
12	VS20282	WINDOWS 10 LICENCE	20723 (PC + USB KEY for recovery+ WINDOWS 10 LICENCE)
13	VS18868	US KEYBOARD	
14	VS19570	USB BLUETOOTH KEY	
15	VS18876	USB KEY FOR RECOVERY	MANDATORY: Indicate the serial number of wheel aligner
16	VS18753	USB SMART CARD READER	
17	VS18875	SMART CARD	MANDATORY: Indicate the smart card number
18	VS20410	ANTENNA WIFI	
19	VS20546	INKJET PRINTER	
20	VS202500850	MONITOR SUPPORT	
21	VS202590540	CLAMPS SUPPORT	
22	VS701028	WHEEL WITH BRAKE	
23	VS701029	WHEEL WITHOUT BRAKE	
24	VS20790	MOUSE	
25	VS20736	MOUSE PAD	
26	VS202590820	REAR PANEL ASSEMBLY	
27	VS10363	POWER SUPPLY FILTER	
28	VS20545	POWER CORD	
29	VS507084	FUSES	
30	VS10495	SWITCH	
31	VS10839	WIRING FROM BC TRANSFORMER TO TERMINAL WIRING	
32	VS20544	US POWER STRIP	
33	VS18911	BATTERY CHARGER BOARD	
34	VS20792	TRANSFORMER	
35	VS299224	SPRING PRESSER	
36	VS20890	FUSES	
37	VS20891	FUSE HOLDER	
38	VS202501190	ELECTRONIC COVER	

TABLE - 01

CONSOLE RWA3D1090

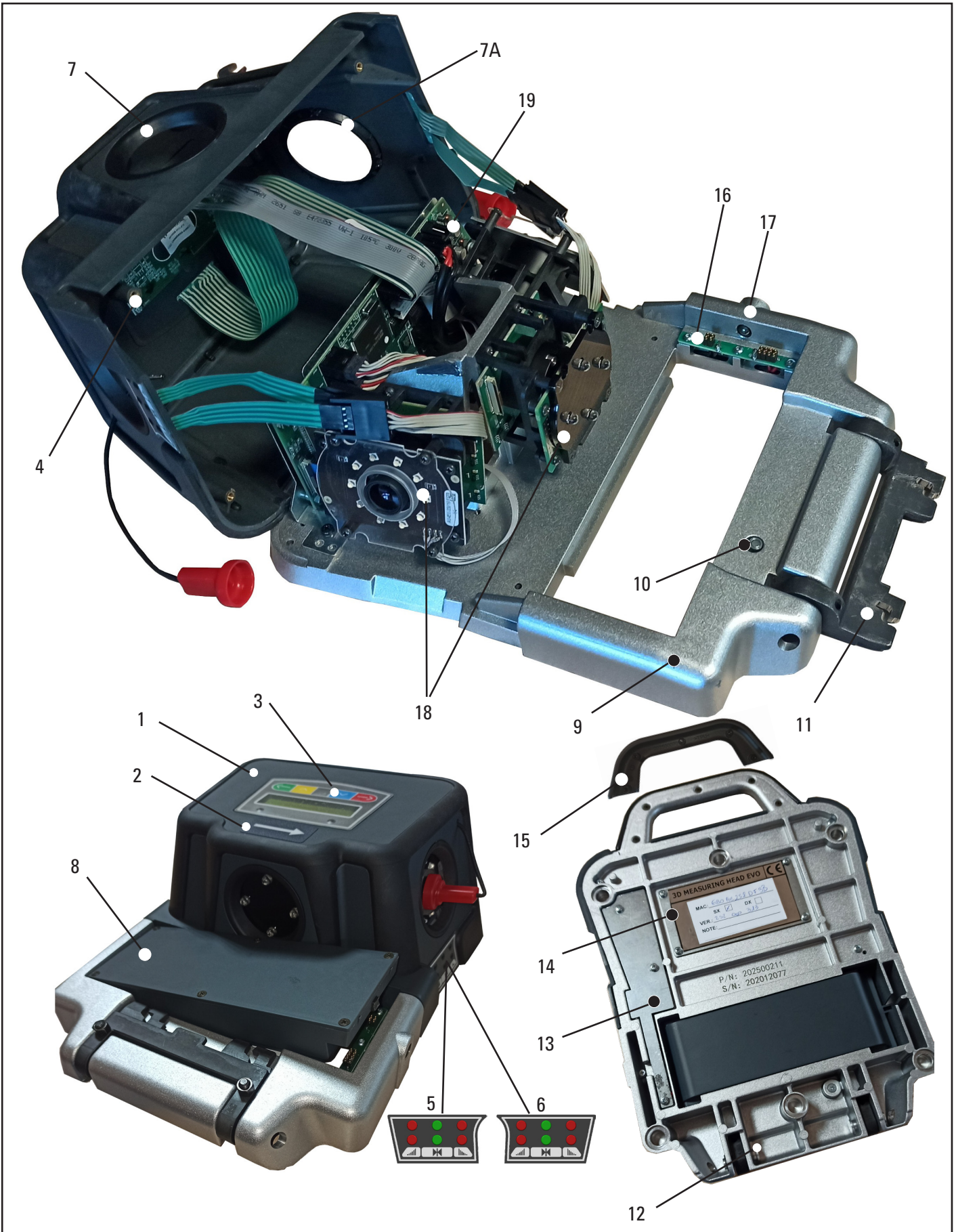


TABLE - 02

HEAD UNIT Code 202590001

Number	Code	Description	Specifications
1	VS202500031	HEAD COVER	
2	VS19134	ARROW LABEL	
3	VS202500200	KEYBOARD	
4	VS20733	DISPLAY WITH WIRING	
5	VS20612	6 LED BOARD LEFT	
6	VS20611	6 LED BOARD RIGHT	
7	VS202500140	CENTRAL RING	
7A	VS202500130	LEFT OR RIGHT RING	
8	VS202590040	BATTERY	
9	VS202500211	FRAME	
10	VS20691	MAGNET	
11	VS202500090	HEAD BRACKET	
12	VS202500020	HINGE PIN	
13	VS202500480	BATTERY WIRING COVER	
14	VS202500400	LOWER COVER	
15	VS202500070	PLASTIC HANDLE	
16	VS20434	BATTERY CONTACT BOARD WITH WIRING	
17	VS299109	SPRING PRESSER	
18	SEE TABLE 3	ILLUMINATOR KIT	
19	VS202590250	CPU BOARD AND INCLINOMETER KIT	SEE TABLE 4 FOR CABLES

TABLE - 02

HEAD UNIT Code 202590001

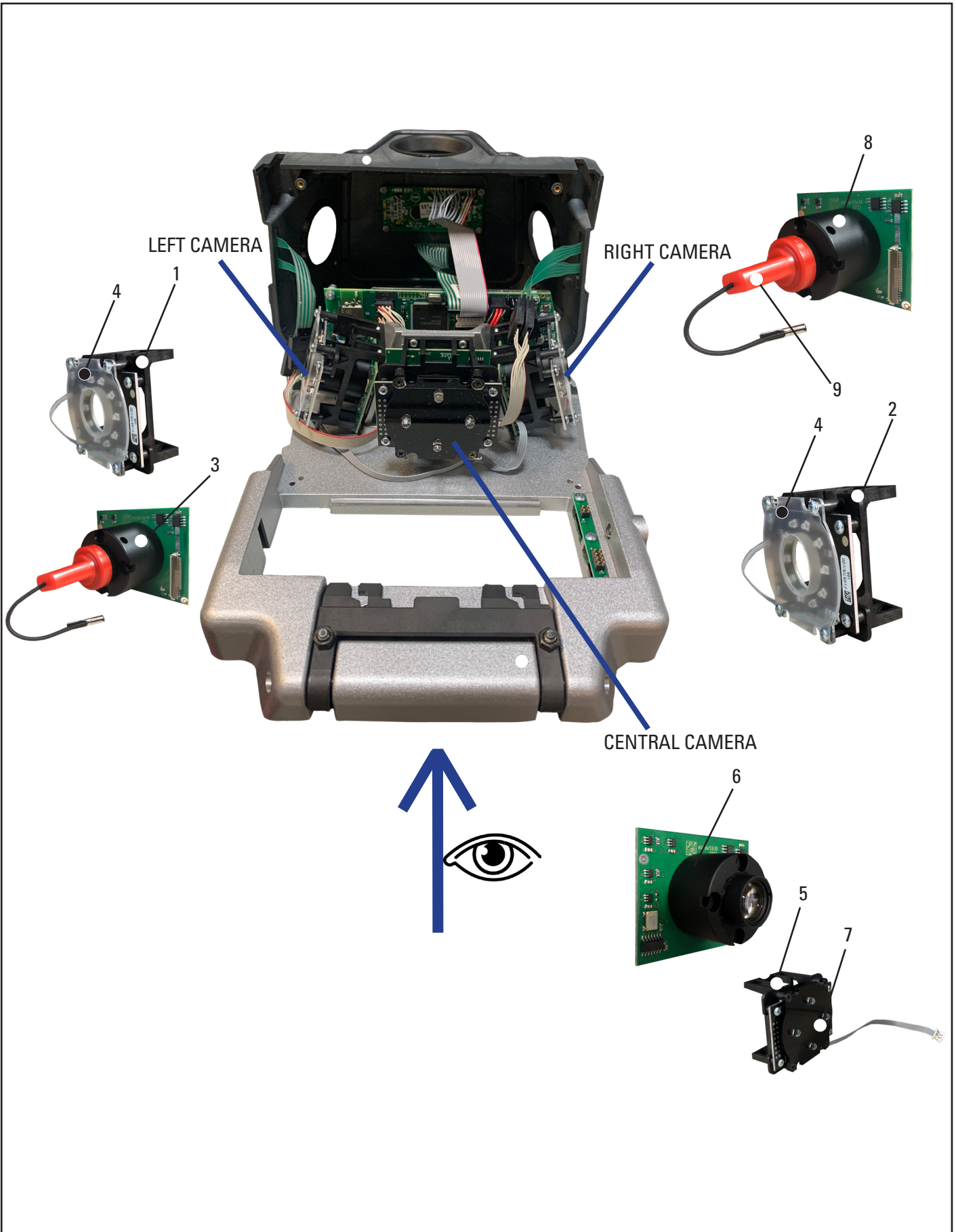


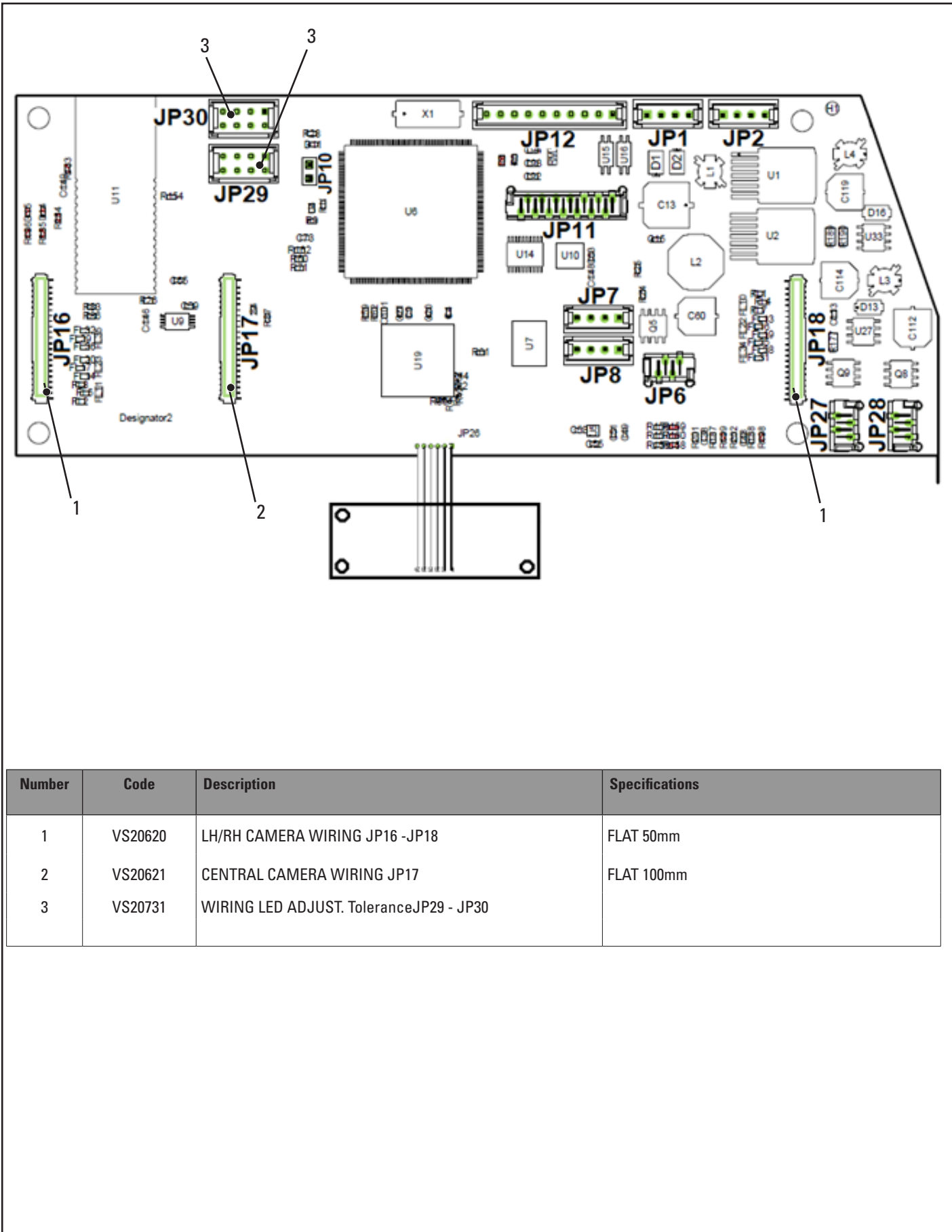
TABLE - 03

RIGHT, LEFT and CENTRAL CAMERA

Number	Code	Description	Specifications
1	VS202590200	RH CAMERA LED BOARD KIT WITH LONG CABLE	PLASTIC PROTECTION (POINT 4) INCLUDED
2	VS202590190	LH CAMERA LED BOARD KIT WITH SHORT CABLE	PLASTIC PROTECTION (POINT 4) INCLUDED
3	VS202590020	LH CAMERA KIT	
4	VS202500180	PLASTIC PROTECTION LH/RH CAMERA	
5	VS202590180	CENTRAL CAMERA LED BOARD KIT	PLASTIC PROTECTION (POINT 7) INCLUDED
6	VS202590110	CENTRAL CAMERA KIT	
7	VS202500280	PLASTIC PROTECTION CENTRAL CAMERA	
8	VS202590210	RH CAMERA KIT	
9	VS202022313	COVER LENS	

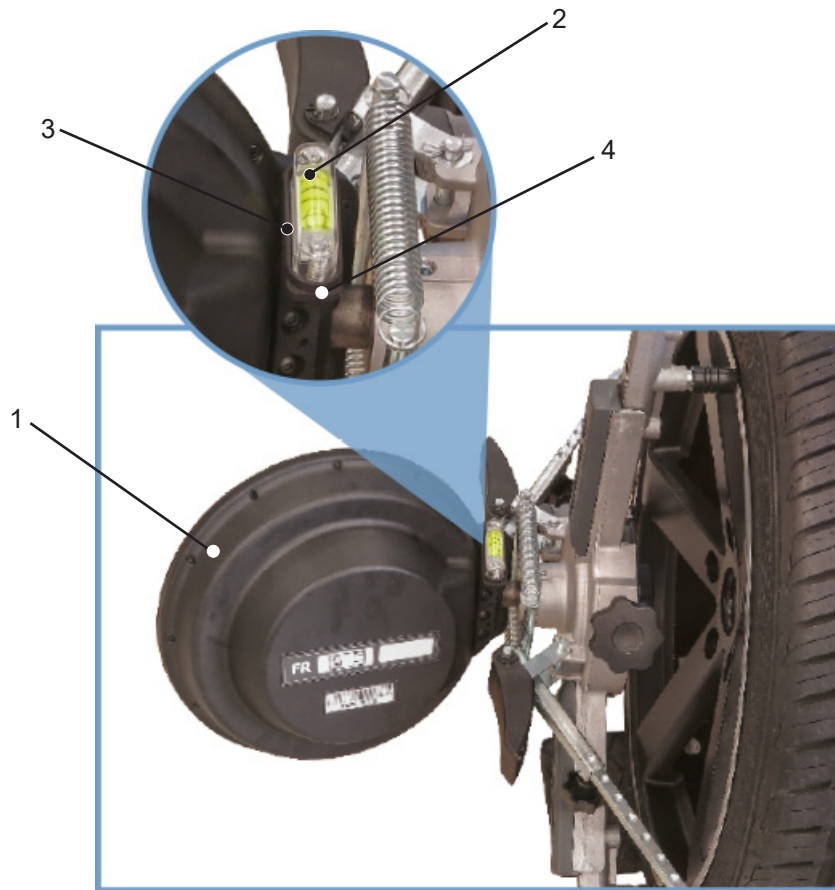
TABLE - 03

RIGHT, LEFT and CENTRAL CAMERA



Number	Code	Description	Specifications
1	VS20620	LH/RH CAMERA WIRING JP16 -JP18	FLAT 50mm
2	VS20621	CENTRAL CAMERA WIRING JP17	FLAT 100mm
3	VS20731	WIRING LED ADJUST. ToleranceJP29 - JP30	

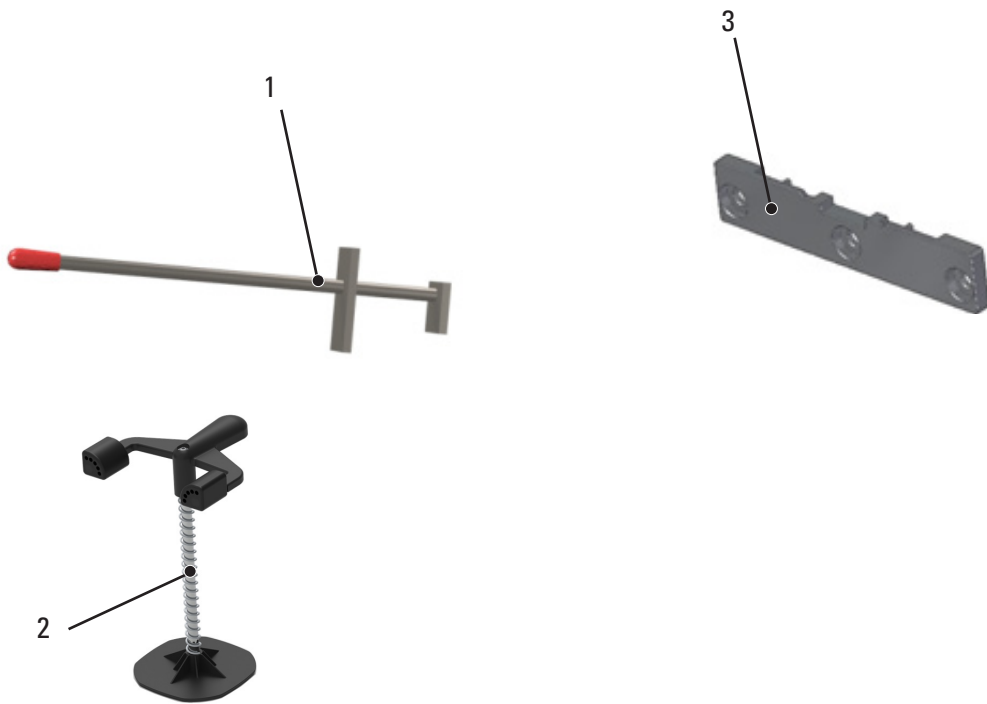
TABLE - 04 CABLES BOARD



Number	Code	Description	Specifications
1	VS20234	TARGET	
2	VS14083	SPIRIT LEVEL	
3	VS202023360	RIGHT FRONT SPIRIT LEVEL SUPPORT /LEFT REAR	
4	VS202023350	LEFT FRONT SPIRIT LEVEL SUPPORT /RIGHT REAR	

TABLE - 05

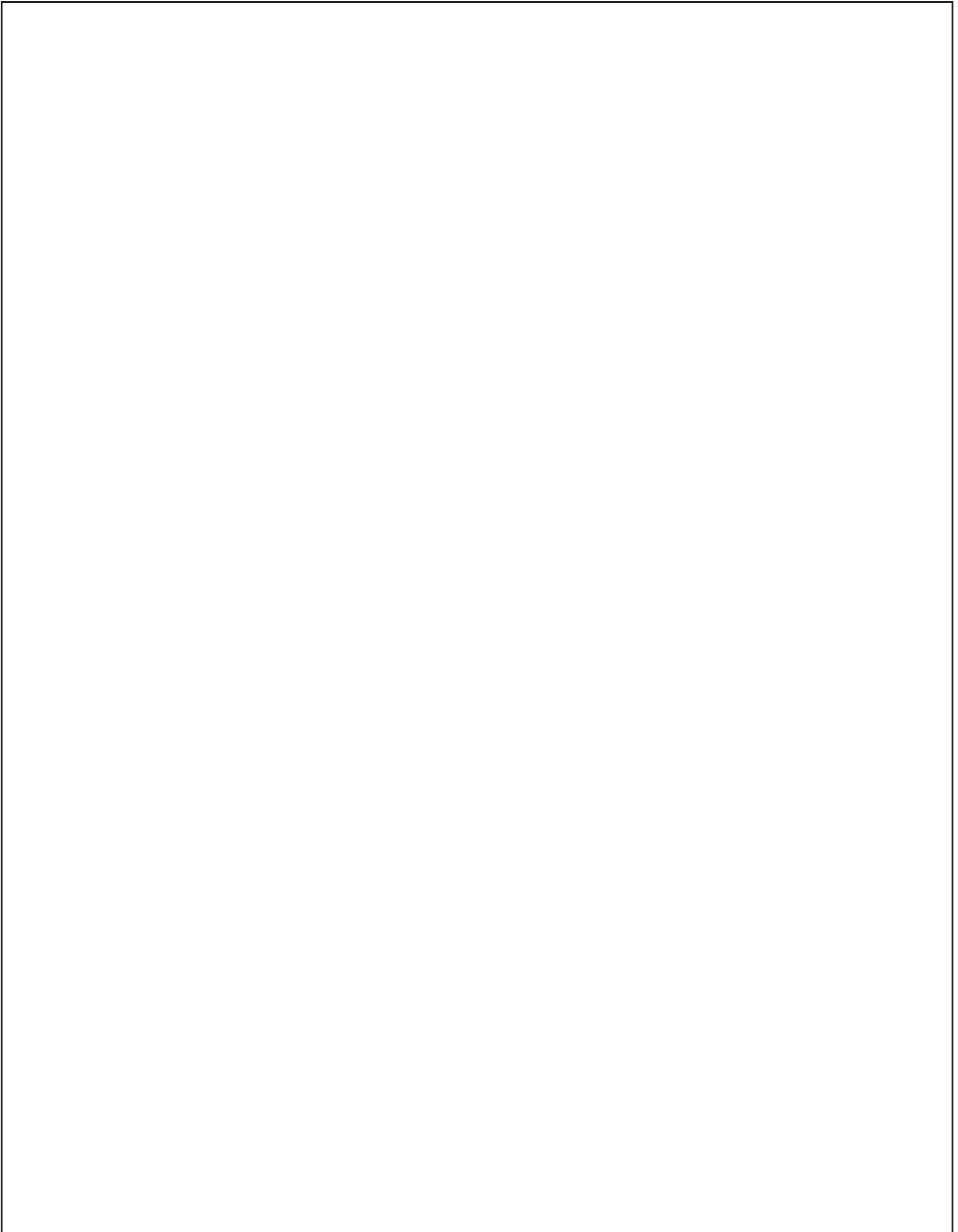
TARGET



Number	Code	Description	Specifications
1	VS10479	BRAKE PEDAL DEPRESSOR	
2	VS202590900	STEERING WHEEL LOCK	
3	VS202590090	BRACKET KIT	

TABLE - 06

WHEEL ALIGNER ACCESSORIES



Installer: Please return this booklet to literature package, and give to wheel aligner owner/operator.

Thank You

Trained Operators and Regular Maintenance Ensures Satisfactory Performance of Your Wheel Service Equipment.

Contact Your Nearest Authorized Rotary Wheel Service Equipment Parts Distributor for Genuine Replacement Parts. See Literature Package for Parts Breakdown.

Rotary World Headquarters

2700 Lanier Drive
Madison, IN 47250, USA
www.rotarylif.com

North America Contact Information

Tech. Support:
p 800.445.5438
f 800.578.5438
e userlink@rotarylif.com
Sales: p 800.640.5438
f 800.578.5438
e userlink@rotarylif.com

World Wide Contact Information

World Headquarters/USA: 1.812.273.1622
Canada: 1.905.812.9920
European Headquarters/Germany: +49.771.9233.0
United Kingdom: +44.178.747.7711
Australasia: +60.3.7660.0285
Latin America / Caribbean: +54.3488.431.608
Middle East / Northern Africa: +49.771.9233.0

© Vehicle Service Group™

Printed in U.S.A., All Rights Reserved. Unless otherwise indicated, ROTARY, and all other trademarks are property of Dover Corporation and its affiliates.

